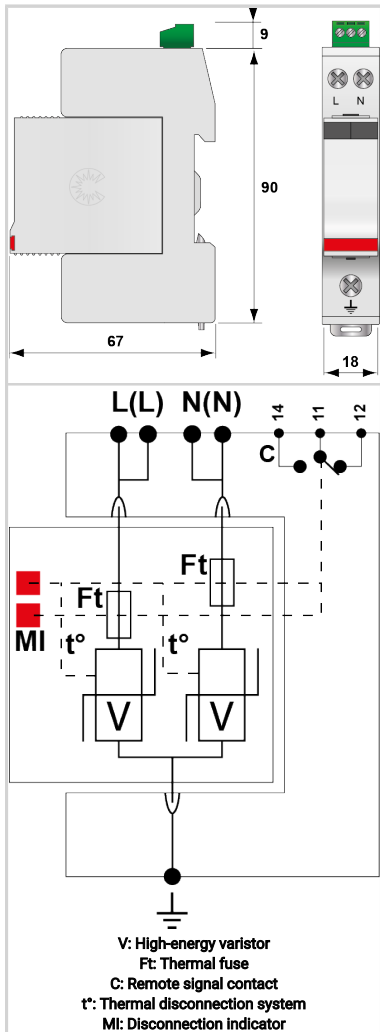




# CITEL



- MOV Technology
- UL1449 Type 4CA
- 40kA Surge Current Rating
- Visual fault indicator and remote contacts
- 10-Year warranty



Electrical Characteristics		
Network		480 V 3-phase
Nominal line voltage	Un	230 Vac
Max. AC operating voltage	Uc	255 Vac
Max. load current		
<i>if series connection</i>	IL	20 A
Max. discharge current		
<i>max. withstand @ 8/20 μs by pole</i>	Imax	40 kA
Total Maximum discharge current		
<i>max. total withstand @ 8/20 μs</i>	Imax Total	80 kA
Connection mode(s)		L/PE and N/PE
Protection mode(s)		Common mode
Residual voltage at 5 kA		
<i>@ 5 kA (8/20μs)</i>	Up-5kA	0.9 kV
POWER SPD TYPE		UL1449 5th Ed. TYPE 4CA
VOLTS	(V)	400/230
AC/DC/DC PV/RF		AC
PHASE	(PH)	1S
AMPS	(A)	N/A
AMBIENT MIN	(C)	-40
AMBIENT MAX	(C)	+85
MODES		L-L, L-G, L-N, N-G
MLV	(V)	2710/-/1950/-
MCOV	(V)	510/-/255/-
IN	(kA)	20
<i>15 impulses 8/20μs</i>		
SCCR	(kA)	n/a
IMAX	(kA)	40
<i>8/20μs</i>		
Option		
Remote status dry contact electrical rating	Max Voltage	V 250.0000
Remote status dry contact electrical rating	Max Current	A 0.5000
RFI Filter		No
Installation		
Wiring type		screw
Solid wire cross section	Min	mm <sup>2</sup> 1.5000
Solid Wire cross section	Max	mm <sup>2</sup> 16.0000
Stranded Wire cross section	Min	mm <sup>2</sup> 1.5000
Stranded wire cross section	Max	mm <sup>2</sup> 10.0000
Wire gauge	Min	AWG 15.0000
Wire gauge	Max	AWG 5.0000
Torque		Nm 1.2-1.5
Torque		in-lbs 10.6-13.3
Strip Length		mm 16.0000
Strip Length		in 0.6300



# CITEL

## DS240S-230

Operating Temperature <sup>Min</sup>	°C	-40.0000
Operating Temperature <sup>Max</sup>	°C	85.0000
Operating Temperature <sup>Min</sup>	°F	-40.0000
Operating Temperature <sup>Max</sup>	°F	85.0000
Operating Relative Humidity <sup>Max</sup>	%RH	95
Operating Altitude <sup>Min</sup>	Ft	2000.0000
Operating Altitude <sup>Max</sup>	Ft	6500.0000
Housing/Enclosure material		Thermoplastic
Flammability rating <sup>UL 94</sup>		V0
Mounting		Rail Din
IP Environmental rating <sup>IP</sup>		IP20
Installation Location		Indoor / outdoor
Spare part		Module
Product Dimension <sup>L</sup>	mm	90.0000
Product Dimension <sup>H</sup>	mm	67.0000
Product Dimension <sup>W</sup>	mm	18.0000
Product Dimension <sup>L</sup>	In	3.5400
Product Dimension <sup>H</sup>	In	2.6300
Product Dimension <sup>W</sup>	In	0.7100
<b>Miscellaneous</b>		
Individual Pack		Yes
Storage Temperature <sup>Min</sup>	°C	-40.0000
Storage Temperature <sup>Max</sup>	°C	85.0000
Storage Temperature <sup>Min</sup>	°F	-40.0000
Storage Temperature <sup>Max</sup>	°F	85.0000
Storage Relative Humidity <sup>Max</sup>	%RH	95.0000
<b>Mechanical Characteristics</b>		
Technology		MOV
Connection to Network		By screw terminals: 1.5-10mm <sup>2</sup> (L/N) or 2.5-25mm <sup>2</sup> (PE)
Format		Plug-in modular box
Mounting		Symmetrical rail 35 mm (EN 60715)
Operating temperature	Tu	-40/+85°C
Protection rating		IP20
Failsafe mode		Disconnection from AC network
TECHNOLOGY		MOV
NETWORK CONFIGURATION		1PH, 2W+G, Single Phase (or 2PH, 2W+G, Two Phase)
CONNECTION METHOD		Screw Terminal, 15-5AWG Solid Wire, 15-7AWG Stranded Wire
MOUNTING		Din Rail
MATERIAL		Thermoplastic UL94-V0
NEMA RATING (IP RATING)		NEMA 2 (IP20)
FAIL-SAFE BEHAVIOR		Disconnection via fuse-link
REAL-TIME DIAGNOSTICS		Visual indicator and remote contacts
DIMENSIONS		See diagram
WEIGHT		0.30 lbs
<b>Standards</b>		
Certification		cRUus
Environmental standards		EU RoHS
UL STANDARD		UL1449 5th Edition
UL CATEGORY		VZCA2, VZCA8
UL FILE NUMBER		E326289
STANDARDS		NOM-003-SCFI-2014, NOM-001-SCFI-1993
<b>Part number</b>		
<b>311711</b>		

