



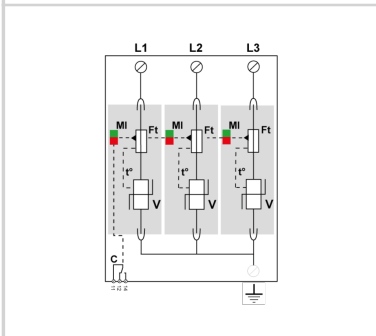
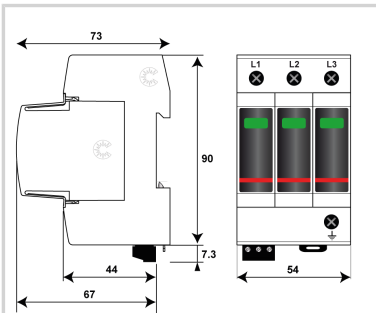
CITEL

UL TYPE 1 SPD - I_{max} 80kA - I_n 20kA - Modular DIN RAIL

DAC83US-240Y/NN



- › UL1449 5th edition
- › Type 1 SPD
- › I_{max}-80kA
- › I_n-20kA
- › Visual fault indicator and remote contacts
- › Pluggable/Replaceable Modules
- › QR Code Linked Installation Sheet
- › 10-Year warranty



Electrical Characteristics

POWER SPD TYPE		UL1449 TYPE 1 LISTED
VOLTS	(V)	415/240
AC/DC/DC PV/RF		AC
PHASE	(PH)	3Y
AMPS	(A)	N/A
AMBIENT MIN	(C)	-40
AMBIENT MAX	(C)	+85
MODES		L-L, L-G
VPR	(V)	1800/1000
MCOV	(V)	640/640
IN	(kA)	20
<i>15 impulses 8/20μs</i>		
SCCR	(kA)	200
IMAX	(kA)	80
<i>8/20μs</i>		
RELATIVE HUMIDITY	(%)	95%

Mechanical Characteristics

TECHNOLOGY		Multi-MOV
NETWORK CONFIGURATION		3PH, 3W+G, No Neutral
CONNECTION METHOD		Screw Terminal (4-14AWG)
MOUNTING		DIN RAIL
MATERIAL		Thermoplastic UL94-V0
NEMA RATING (IP RATING)		NEMA 2 (IP20)
FAIL-SAFE BEHAVIOR		Yes, no upstream over current protection required
REAL-TIME DIAGNOSTICS		Visual indicator and remote contacts
DIMENSIONS		See diagram
WEIGHT		0.83 lbs

Standards

Environmental standards		EU RoHS
UL STANDARD		UL1449 5th Edition (Pending)
UL CATEGORY		VZCA, VZCA7
UL FILE NUMBER		E326289
STANDARDS		NOM-003-SCFI-2014, NOM-001-SCFI-1993

Part number

55110039

