



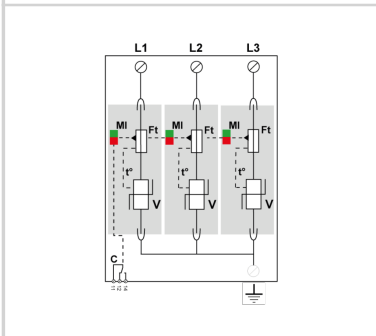
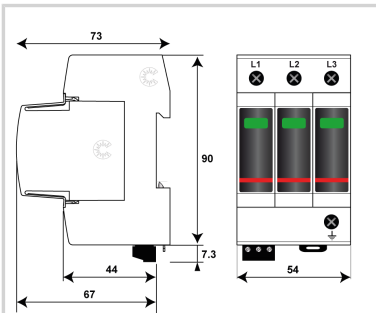
# CITEL

## UL TYPE 1 SPD - I<sub>max</sub> 80kA - I<sub>n</sub> 20kA - Modular DIN RAIL

### DAC83US-277Y/NN



- › UL1449 5th edition
- › Type 1 SPD
- › I<sub>max</sub>-80kA
- › I<sub>n</sub>-20kA
- › Visual fault indicator and remote contacts
- › Pluggable/Replaceable Modules
- › QR Code Linked Installation Sheet
- › 10-Year warranty



#### Características eléctricas

POWER SPD TYPE		UL1449 TYPE 1 LISTED
TENSION	(V)	480/277
AC/DC/DC PV/RF		AC
FASE	(PH)	3Y
AMPS	(A)	N/A
AMBIENT MIN	(C)	-40
AMBIENT MAX	(C)	+85
MODOS		L-L, L-G
VPR	(V)	2500/-/1500/-
MCOV	(V)	840/-/420/-
IN	(kA)	20
I <sub>cc</sub> cortocircuito	(kA)	200
IMAX	(kA)	80
RELATIVE HUMIDITY	(%)	95%

#### Características mecánicas

TECNOLOGIA		Multi-MOV
CONFIGURACION DE RED		3PH, 3W+G, No Neutral
FORMA DE CONEXION		Screw Terminal (4-14AWG)
MONTAJE		DIN RAIL
MATERIAL		Thermoplastic UL94-V0
NEMA RATING (IP RATING)		NEMA 2 (IP20)
DESCONEXION SEGURA		Yes, no upstream over current protection required
REAL-TIME DIAGNOSTICS		Visual indicator and remote contacts
DIMENSIONS		See diagram
WEIGHT		0.83 lbs

#### Normas

Certificación		UL Listed
Normas ambientales		EU RoHS
UL STANDARD		UL1449 5th Edition
UL CATEGORY		VZCA, VZCA7
UL FILE NUMBER		E326289
NORMAS		NOM-003-SCFI-2014, NOM-001-SCFI-1993

#### Código

**55110040**

