



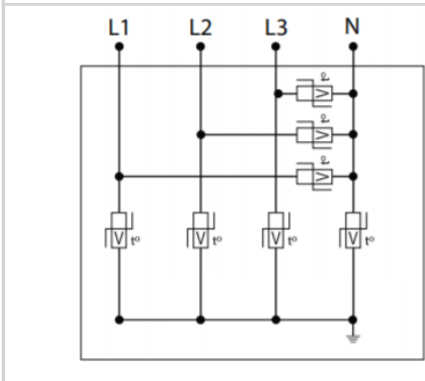
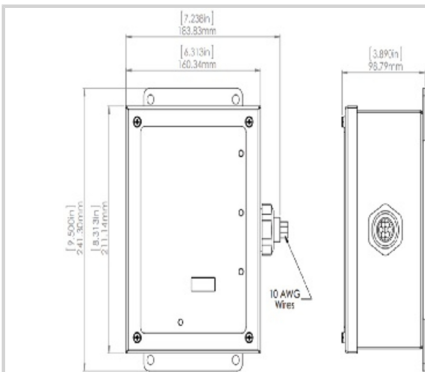
CITEL

UL TYPE 2 LISTED SPD - I_{max} 105kA per phase - I_n 20kA - NEMA 3R/4 /12

MS80F-347Y-C



- Multi-TMOV Technology
- UL1449 Type 2 LISTED
- UL1283 LISTED EMI/RFI Filter
- 105kA Surge Current Rating
- Visual fault indicator
- Surge Counter
- 10-Year warranty



Características eléctricas		
POWER SPD TYPE		UL1449 TYPE 2 LISTED
TENSION	(V)	347/600
AC/DC/DC PV/RF		AC
FASE	(PH)	3Y
AMPS	(A)	N/A
AMBIENT MIN	(C)	-35
AMBIENT MAX	(C)	85
MODOS		L-L, L-N, L-G, N-G
VPR	(V)	3000/1800/1800/1800
MCOV	(V)	1100/550/550/550
IN	(kA)	20
I _{cc} cortocircuito	(kA)	200
IMAX	(kA)	105
Características mecánicas		
TECNOLOGIA		Multi-TMOV
CONFIGURACION DE RED		3PH, 4W+G, Wye
FORMA DE CONEXION		36" #10 AWG LEADS
MONTAJE		FLANGE MOUNT
MATERIAL		Steel
NEMA RATING (IP RATING)		4X (IP67)
DESCONEXION SEGURA		Disconnection via fuse-link
REAL-TIME DIAGNOSTICS		% of protection present LED, audible alarm, remote contacts and surge counter.
DIMENSIONS		See diagram
WEIGHT		6 lbs
Normas		
Certificación		UL Listed
UL STANDARD		UL1449 5th Edition
UL CATEGORY		VZCA, VZCA7, FOKY, FOKY7
UL FILE NUMBER		E326289
NORMAS		NOM-003-SCFI-2014
ENVIRONMENTAL STANDARDS		ROHS
Código		
890224		

