



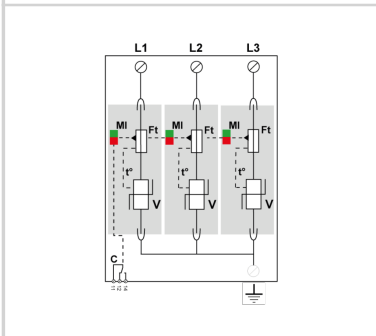
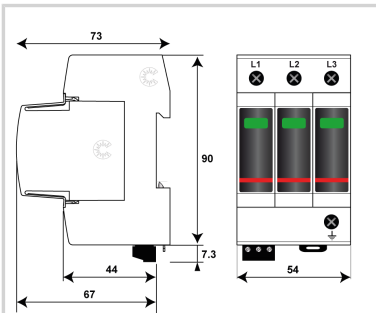
CITEL

UL TYPE 1 SPD - I_{max} 100kA - I_n 20kA -Modular DIN RAIL

DAC103US-277Y/NN



- UL1449 5th edition
- Type 1 SPD
- I_{max}-100kA
- I_n-20kA
- Visual fault indicator and remote contacts
- Pluggable/Replaceable Modules
- 10-Year warranty



Características eléctricas

POWER SPD TYPE		UL1449 TYPE 1 LISTED
TENSION	(V)	277/480, 120/208, 240/415, 240*
AC/DC/DC PV/RF		AC
FASE	(PH)	3Y, 3D*
AMPS	(A)	N/A
AMBIENT MIN	(C)	-40
AMBIENT MAX	(C)	+85
MODOS		L-L, L-G
VPR	(V)	2000/1200
MCOV	(V)	770/385
IN	(kA)	20
I _{cc} cortocircuito	(kA)	200
IMAX	(kA)	100
RELATIVE HUMIDITY	(%)	95%

Características mecánicas

TECNOLOGIA		Multi-MOV
CONFIGURACION DE RED		3PH, 3W+G, No Neutral
FORMA DE CONEXION		Screw Terminal (4-14AWG Solid Wire or 6-14AWG Stranded)
MONTAJE		DIN RAIL
MATERIAL		Thermoplastic UL94-V0
NEMA RATING (IP RATING)		NEMA 2 (IP20)
DESCONEXION SEGURA		Yes, no upstream over current protection required
REAL-TIME DIAGNOSTICS		Visual indicator and remote contacts
DIMENSIONS		See diagram
WEIGHT		0.83 lbs

Normas

Certificación		UL Listed
Normas ambientales		EU RoHS
UL STANDARD		UL1449 5th Edition
UL CATEGORY		VZCA, VZCA7
UL FILE NUMBER		E326289
NORMAS		NOM-003-SCFI-2014, NOM-001-SCFI-1993

Código

55110109

