



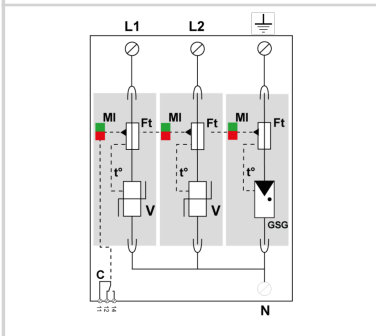
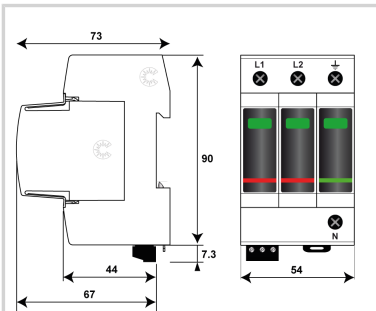
CITEL

UL TYPE 1 SPD - I_{max} 100kA - I_n 20kA - Modular DIN RAIL

DAC103US-240T/G



- ▶ UL1449 5th edition
- ▶ Type 1 SPD
- ▶ I_{max}-100kA
- ▶ I_n-20kA
- ▶ Visual fault indicator and remote contacts
- ▶ Pluggable/Replaceable Modules
- ▶ 10-Year warranty



Electrical Characteristics

POWER SPD TYPE		UL1449 TYPE 1 LISTED
VOLTS	(V)	240/480, 120/240
AC/DC/DC PV/RF		AC
PHASE	(PH)	1S
AMPS	(A)	N/A
AMBIENT MIN	(C)	-40
AMBIENT MAX	(C)	+85
MODES		L-L, L-N, L-G, N-G
VPR	(V)	2000/1200/1500/1200
MCOV	(V)	770/385/385/277
IN	(kA)	20
15 impulses 8/20 μ s		
SCCR	(kA)	200
IMAX	(kA)	100
8/20 μ s		
RELATIVE HUMIDITY	(%)	95%

Mechanical Characteristics

TECHNOLOGY		Multi-MOV+GSG
NETWORK CONFIGURATION		3 pole, 3W+G, Split Phase
CONNECTION METHOD		Screw Terminal (4-14AWG Solid Wire or 6-14AWG Stranded)
MOUNTING		DIN RAIL
MATERIAL		Thermoplastic UL94-V0
NEMA RATING (IP RATING)		NEMA 2 (IP20)
FAIL-SAFE BEHAVIOR		Yes, no upstream over current protection required
REAL-TIME DIAGNOSTICS		Visual indicator and remote contacts
DIMENSIONS		See diagram
WEIGHT		0.83 lbs

Standards

Certification		UL Listed
Environmental standards		EU RoHS
UL STANDARD		UL1449 5th Edition
UL CATEGORY		VZCA, VZCA7
UL FILE NUMBER		E326289
STANDARDS		NOM-003-SCFI-2014, NOM-001-SCFI-1993

Part number

55110107

