



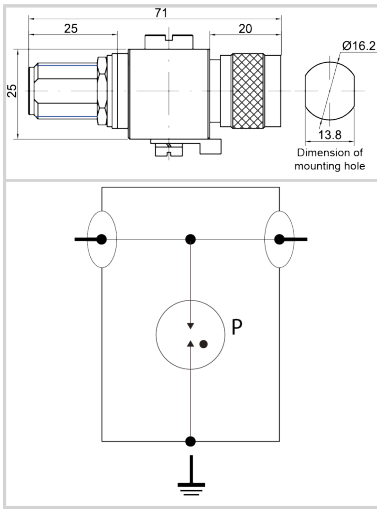
# CITEL

## - UL497E LISTED - I<sub>max</sub> 20kA (10kA UL) - I<sub>n</sub> 10kA (10kA UL) - Bi-directional - Replaceable Gas Tube

### P8AX09-6G-N/MF



- Gas Discharge Tube Technology, DC Pass
- Frequency Range 0-6 GHz
- I<sub>max</sub> 20kA, 10kA (UL), I<sub>n</sub> 10kA
- IP67 Outdoor Rated
- SMA Type Connector
- Bi-Directional
- Replaceable Gas Tube



#### Características eléctricas

|   |                  |               |
|---|------------------|---------------|
| Tensión DC máx. de operación  | Uc               | 120 Vdc       |
| Gama de frecuencia  | f                | DC-6 GHz      |
| Perdida de inserción  |                  | < 0.2 dB      |
| Return loss   |                  | > 19 dB       |
| Impedancia  |                  | 50 ohms       |
| VSWR - ROE  |                  | <1.25:1       |
| Corriente máx. De línea @25°C   | IL               | 10 A          |
| Corriente de descarga máxima<br><i>Capacidad máx. En onda 8/20µs por polo</i>       | I <sub>max</sub> | 15 kA         |
| Corriente de descarga nominal<br><i>Prueba 8/20µs x 10 - categoría C2</i>           | I <sub>n</sub>   | 5 kA          |
| Modo(s) de protección   |                  | Modo común    |
| Corriente de choque<br><i>Prueba 10/350µs x 2 - categoría D1</i>                    | I <sub>imp</sub> | 1 kA          |
| Potencia máx.   |                  | 25 W          |
| Típico dejar pasar la energía<br><i>(50 ohms) entrada 4kV 1.2/50µs - 2kA 8/20µs</i> |                  | 2.2 mJ        |
| DC Pass   |                  | Yes           |
| Resistencia de aislamiento  | IR               | ≥10 GOhms     |
| RF Power  | W                | 25.0000       |
| Return Loss   | db               | 20            |
| VSWR  | :1               | <1.25         |
| Max Total Discharge Current   | kA               | 10.0000       |
| Max Discharge Current   | kA               | 10.0000       |
| RF SPD TYPE   |                  | UL497E LISTED |
| TENSION   | (V)              | 48            |
| AC/DC/DC PV/RF  |                  | RF            |
| WIRES   |                  | 1W+GROUND     |
| LINE CURRENT MAX  | (A)              | 10            |
| POWER RATING  | (W)              | 25            |
| AMBIENT MIN   | (C)              | -40           |
| AMBIENT MAX   | (C)              | +85           |
| RESIDUAL VOLTAGE  | (V)              | 700           |
| IMAX  | (kA)             | 20            |
| FREQUENCY RANGE   | (GHz)            | 0-6.9         |
| INSERTION LOSS (@ FREQ)   | (db)             | <0.2          |
| RETURN LOSS   | (db)             | 22            |
| VSWR  |                  | <1.25:1       |
| IMPEDANCE   | Ω                | 50            |

#### Instalación

|                             |     |                         |
|-----------------------------|-----|-------------------------|
| Operating Temperature       | °C  | -45.0000                |
| Operating Temperature       | °C  | 85.0000                 |
| Operating Temperature       | °F  | -50.0000                |
| Operating Temperature       | °F  | 85.0000                 |
| Operating Relative Humidity | %RH | Can be submerged        |
| Operating Altitude          | Ft  | 2000.0000               |
| Operating Altitude          | Ft  | 6500.0000               |
| Housing/Enclosure material  |     | Cu, Zn, Sn plated Brass |
| Mounting                    |     | Bracket or through hole |
| IP Environmental rating     |     | IP65                    |
| NEMA Environmental rating   |     | NEMA 4                  |
| Installation Location       |     | Indoor / outdoor        |



# CITEL

## - UL497E LISTED - I<sub>max</sub> 20kA (10kA UL) - I<sub>n</sub> 10kA (10kA UL) - Bi-directional - Replaceable Gas Tube

### P8AX09-6G-N/MF

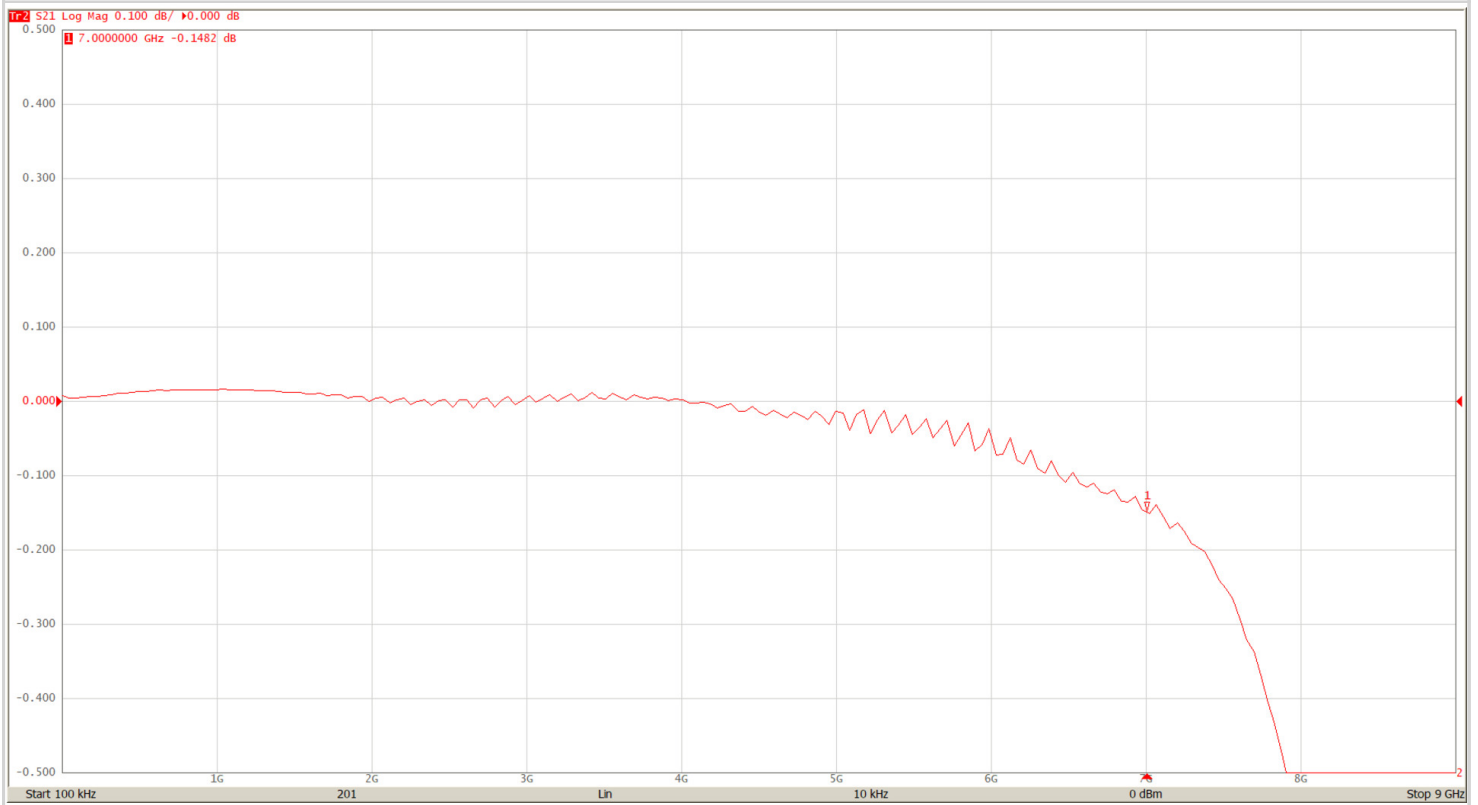
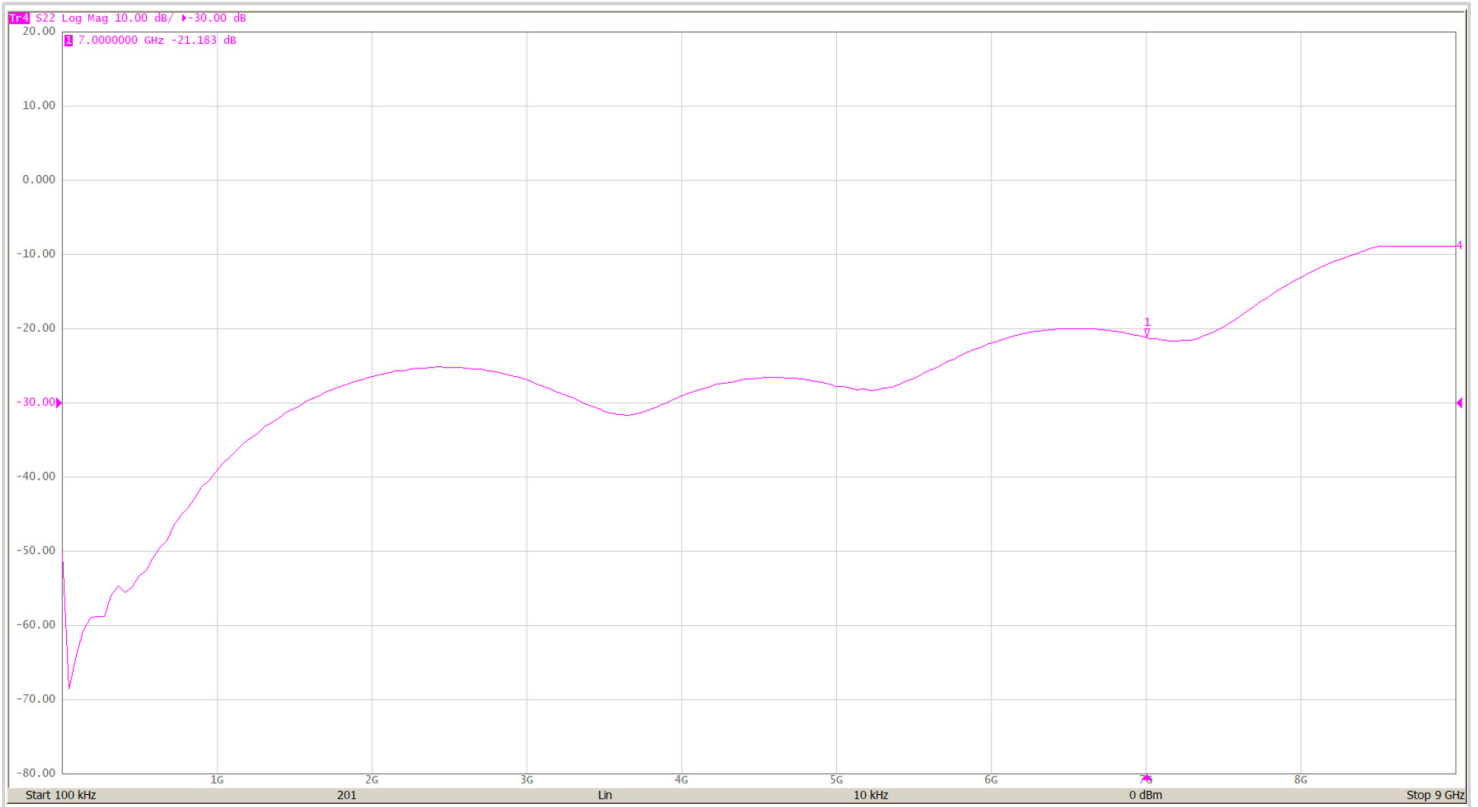
|                                  |    |                                      |
|----------------------------------|----|--------------------------------------|
| Spare part                       |    | BA HF 90/20                          |
| Accesorio                        |    | BK                                   |
| Product Dimension                | mm | 71.0000                              |
| Product Dimension                | mm | 25.0000                              |
| Product Dimension                | mm | 13.8000                              |
| Product Dimension                | In | 2.8000                               |
| Product Dimension                | In | 0.9800                               |
| Product Dimension                | In | 0.5400                               |
| <b>Miscelánea</b>                |    |                                      |
| Individual Pack                  |    | No                                   |
| Storage Temperature              | °C | -40.0000                             |
| Storage Temperature              | °C | 85.0000                              |
| Storage Temperature              | °F | -40.0000                             |
| Storage Temperature              | °F | 85.0000                              |
| <b>Características mecánicas</b> |    |                                      |
| Tecnología                       |    | Descargador de gas                   |
| Conexión a la red                |    | Conector N Macho/Hembra              |
| Montaje                          |    | Pasamuros                            |
| Temperatura de operación         | Tu | -40/+85°C                            |
| Clase de protección              |    | IP65                                 |
| Modo de fallo                    |    | Corto-circuito                       |
| Contact                          |    | Bronce/Superficie Au-Ag              |
| aislamiento                      |    | PTFE                                 |
| TECNOLOGIA                       |    | GDT                                  |
| FORMA DE CONEXION                |    | SERIES CONNECTOR, BI-DIRECTIONAL     |
| CONNECTOR TYPE                   |    | N                                    |
| GENDER                           |    | MALE TO FEMALE                       |
| MONTAJE                          |    | BULKHEAD, OPTIONAL BRACKET           |
| MATERIAL                         |    | Cu, Zn, Sn plated Brass, PTFE        |
| NEMA RATING (IP RATING)          |    | NEMA 6P (IP67)                       |
| DIMENSIONS                       |    | See diagram                          |
| WEIGHT                           |    | 0.30 lbs                             |
| SPARE PART                       |    | BA HF 90/20                          |
| <b>Normas</b>                    |    |                                      |
| Normas ambientales               |    | EU RoHS                              |
| Conformidad RoHS                 |    | Si                                   |
| UL STANDARD                      |    | UL497E                               |
| UL CATEGORY                      |    | QVLA                                 |
| UL FILE NUMBER                   |    | E349646                              |
| NORMAS                           |    | NOM-003-SCFI-2014, NOM-001-SCFI-1993 |
| <b>Código</b>                    |    |                                      |
| <b>68001</b>                     |    |                                      |



- UL497E LISTED - I<sub>max</sub> 20kA (10kA UL) - I<sub>n</sub> 10kA (10kA UL) - Bi-directional - Replaceable Gas Tube

# CITEL

## P8AX09-6G-N/MF





- UL497E LISTED - I<sub>max</sub> 20kA (10kA UL) - I<sub>n</sub> 10kA (10kA UL) - Bi-directional - Replaceable Gas Tube

# CITEL

## P8AX09-6G-N/MF

