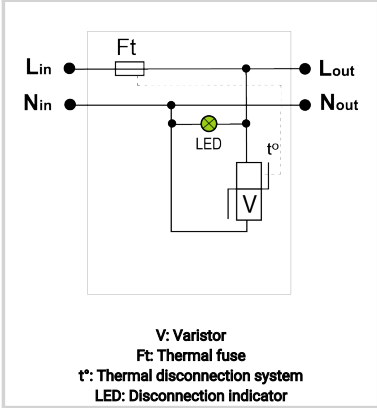
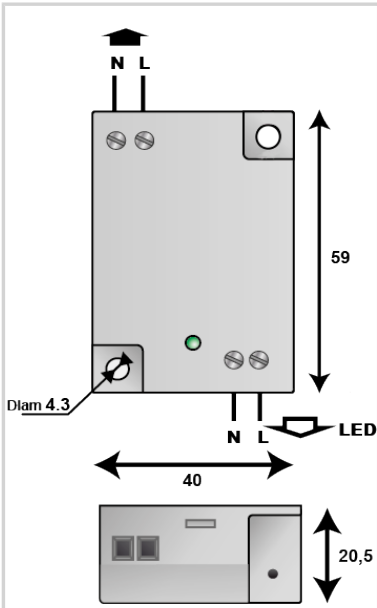




CITEL



MLPC2-277L-V



Electrical Characteristics		
Network		120-277 V Single-phase
Max. AC operating voltage	Uc	320 Vac
Max. load current @25°C	IL	5 A
Max. discharge current <i>max. withstand @ 8/20 μs by pole</i>	Imax	10 kA
Total Maximum discharge current <i>max. total withstand @ 8/20 μs</i>	Imax Total	20 kA
Mechanical Characteristics		
Connection to Network		1 screw contact single side in/out - wire 2.5mm ² max.
Mounting		On plate
Operating temperature	Tu	-40/+85°C
Protection rating		IP20
Failsafe mode		Disconnection and AC line cut-off
Standards		
Certification		TUV
Part number		
832321		

