



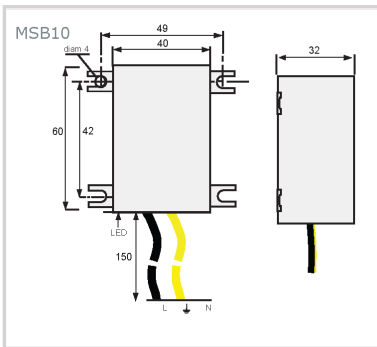
CITEL

UL TYPE 4CA - I_{max} 18kA - I_n 3kA

MSB10-120-Ex



- MOV Technology
- UL121201 Listed-Hazardous Locations
- UL 1449 - Type 4CA
- I_{max} 18kA
- I_n 3kA
- LED Indicator
- IP67
- ANSI/IEEE C136.2 Extreme 20kV/10kA
- ANSI/IEEE C62.41 20kV/10kA
- 10-year warranty



Electrical Characteristics		
Network		120 V single-phase
Nominal line voltage	U _n	120 Vac
Max. AC operating voltage	U _c	150 Vac
Max. discharge current <i>max. withstand @ 8/20 μs by pole</i>	I _{max}	10 kA
Protection mode(s)		Common/Differential mode
Protection level L/N <i>@ I_n (8/20μs)</i>	U _p L/N	1 kV
POWER SPD TYPE		UL1449 TYPE 4CA for Hazardous Locations
VOLTS	(V)	277
AC/DC/DC PV/RF		AC
PHASE	(PH)	1
AMPS	(A)	N/A
AMBIENT MIN	(C)	-35
AMBIENT MAX	(C)	+85
MODES		L-L, L-G, L-N
MLV	(V)	780/1340/1330/-
MCOV	(V)	300/300/300
IN <i>15 impulses 8/20μs</i>	(kA)	3
SCCR	(kA)	n/a
IMAX <i>8/20μs</i>	(kA)	18
Mechanical Characteristics		
Technology		MOV+GDT
Connection to Network		Wires
Mounting		Wall or plate
Operating temperature	T _u	-40/+85°C
Protection rating		IP65
Failsafe mode		Disconnection from AC network
TECHNOLOGY		Thermal-MOV
NETWORK CONFIGURATION		1PH, 2W+G, Single Phase (or 2PH, 2W+G, Two Phase)
CONNECTION METHOD		18" #14 AWG LEADS
MOUNTING		FLANGE MOUNT
MATERIAL		Thermoplastic UL94-V0
NEMA RATING (IP RATING)		NEMA 6P (IP67)
FAIL-SAFE BEHAVIOR		Disconnection via fuse-link
REAL-TIME DIAGNOSTICS		LED Indicator
DIMENSIONS		See diagram
WEIGHT		0.30 lbs
SPARE PART		n/a
Standards		
Certification		cRUus
Environmental standards		EU RoHS
UL STANDARD		UL1449 5th Edition & UL121201
UL CATEGORY		VZCA2, VZCA8 & VZCH, VZCH7
UL FILE NUMBER		E326289, E527348
UL121201 HAZARDOUS LOCATION		Class I, Division 2, Groups A, B, C & D: Operating Temp. T4
STANDARDS		NOM-003-SCFI-2014, NOM-001-SCFI-1993
ANSI/IEEE C62.41		Category C 20kV/10kA
Part number		
897019		

