

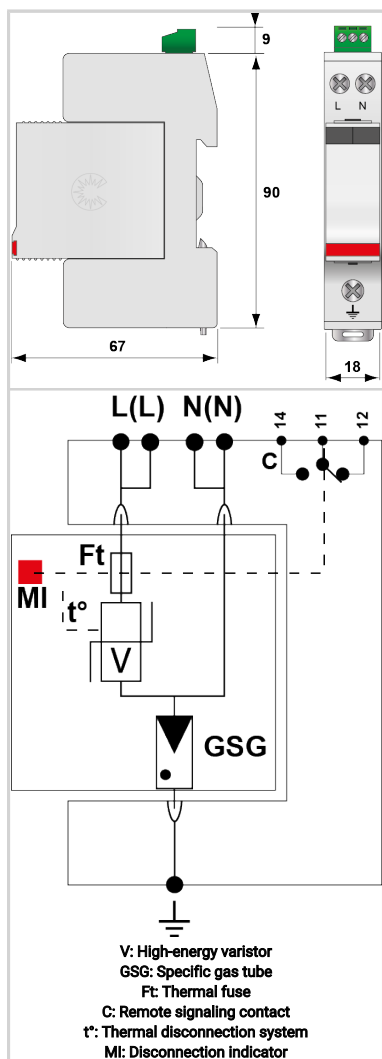


CITEL

DS240S-230/G-Ex



- UL121201 Hazardous Locations
- MOV+GSG Technology
- UL1449 TYPE 4CA
- 40kA Surge Current Rating per module
- Visual fault indicator and remote contacts
- 10-Year warranty



Electrical Characteristics		
Network		230/400V
Nominal line voltage	Un	230 Vac
Max. AC operating voltage	Uc	255 Vac
Max. load current		
if series connection	IL	20 A
Max. discharge current		
max. withstand @ 8/20 μs by pole	I _{max}	40 kA
Total Maximum discharge current		
max. total withstand @ 8/20 μs	I _{max} Total	40 kA
Protection mode(s)		Common/Differential mode
Residual voltage at 5 kA @ 5 kA (8/20μs)	Up-5kA	1.5/0.9 kV
POWER SPD TYPE		UL1449 5th Ed. TYPE 4CA
VOLTS	(V)	400/230
AC/DC/DC PV/RF		AC
PHASE	(PH)	1S
AMPS	(A)	N/A
AMBIENT MIN	(C)	-40
AMBIENT MAX	(C)	+85
MODES		L-L, L-G, L-N, N-G
MLV	(V)	-/1790/2240/1480
MCOV	(V)	-/255/255/255
IN	(kA)	20
15 impulses 8/20μs		
SCCR	(kA)	n/a
IMAX	(kA)	40
8/20μs		
Option		
Remote status dry contact electrical rating	Max Voltage	V 250.0000
Remote status dry contact electrical rating	Max Current	A 0.5000
RFI Filter		No
Installation		
Wiring type		screw
Solid wire cross section	Min	mm ² 1.5000
Solid Wire cross section	Max	mm ² 16.0000
Stranded Wire cross section	Min	mm ² 1.5000
Stranded wire cross section	Max	mm ² 10.0000
Wire gauge	Min	AWG 15.0000
Wire gauge	Max	AWG 5.0000
Torque		Nm 1.2-1.5
Torque		in-lbs 10.6-13.3
Strip Length		mm 16.0000
Strip Length		in 0.6300
Operating Temperature	Min	°C -40.0000



CITEL

UL121201 Hazardous Locations- Imax 40kA - In 20kA - Modular

DS240S-230/G-Ex

Operating Temperature ^{Max}	°C	85.0000
Operating Temperature ^{Min}	°F	-40.0000
Operating Temperature ^{Max}	°F	85.0000
Operating Relative Humidity ^{Max}	%RH	95
Operating Altitude ^{Min}	Ft	2000.0000
Operating Altitude ^{Max}	Ft	6500.0000
Housing/Enclosure material		Thermoplastic
Flammability rating ^{UL 94}		V0
Mounting		Rail Din
IP Environmental rating ^{IP}		IP20
Installation Location		Indoor / outdoor
Spare part		Module
Product Dimension ^L	mm	90.0000
Product Dimension ^H	mm	67.0000
Product Dimension ^W	mm	18.0000
Product Dimension ^L	In	3.5400
Product Dimension ^H	In	2.6300
Product Dimension ^W	In	0.7100
Miscellaneous		
Individual Pack		Yes
Storage Temperature ^{Min}	°C	-40.0000
Storage Temperature ^{Max}	°C	85.0000
Storage Temperature ^{Min}	°F	-40.0000
Storage Temperature ^{Max}	°F	85.0000
Storage Relative Humidity ^{Max}	%RH	95.0000
Mechanical Characteristics		
Technology		MOV
Connection to Network		By screw terminals: 1.5-10mm ² (L/N) or 2.5-25mm ² (PE)
Format		Plug-in modular box
Mounting		Symmetrical rail 35 mm (EN 60715)
Operating temperature	Tu	-40/+85°C
Protection rating		IP20
Failsafe mode		Disconnection from AC network
TECHNOLOGY		MOV+GSG
NETWORK CONFIGURATION		2 pole, 2W+G, Single/Spilt Phase
CONNECTION METHOD		Screw Terminal, 15-5AWG Solid Wire, 15-7AWG Stranded Wire
MOUNTING		Din Rail
MATERIAL		Thermoplastic UL94-V0
NEMA RATING (IP RATING)		NEMA 2 (IP20)
FAIL-SAFE BEHAVIOR		Disconnection via fuse-link
REAL-TIME DIAGNOSTICS		Visual indicator and remote contacts
DIMENSIONS		See diagram
WEIGHT		0.30 lbs
Standards		
Certification		cRUus
Environmental standards		EU RoHS
UL STANDARD		UL1449 5th Edition & UL121201
UL CATEGORY		VZCA2, VZCA8, VZCH, VZCH7
UL FILE NUMBER		E326289, E527348
UL121201 HAZARDOUS LOCATION		Class I, Division 2, Groups A, B, C & D: Operating. Temp. T5
STANDARDS		NOM-003-SCFI-2014, NOM-001-SCFI-1993
Part number		
897009		

