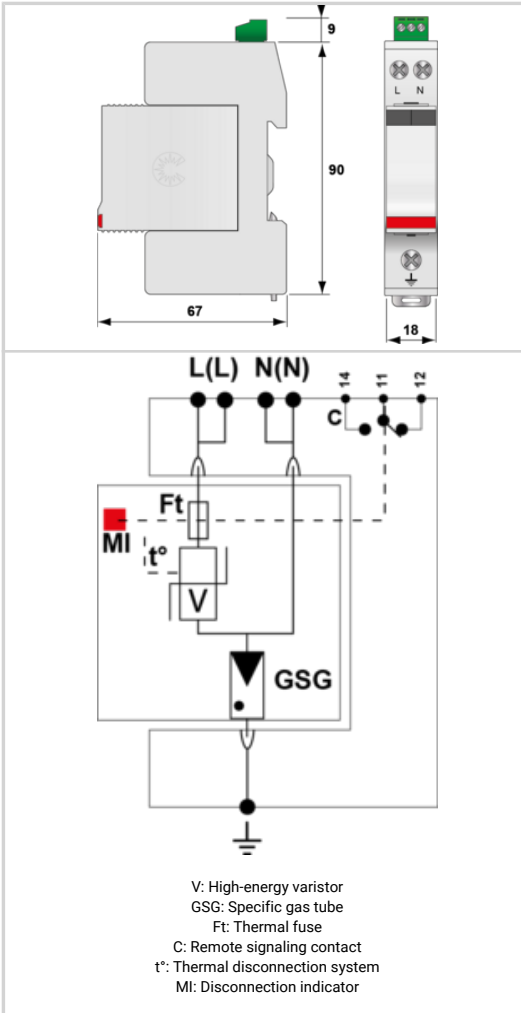




- ↳UL121201 Hazardous Locations
- ↳MOV+GSG Technology
- ↳UL1449 TYPE 4CA
- ↳40kA Surge Current Rating per module
- ↳Visual fault indicator and remote contacts
- ↳10-Year warranty



Electrical Characteristics		
Network		120 V single-phase
Total Maximum discharge current <i>max. total withstand @ 8/20 μs</i>	I _{max} Total	40 kA
Protection mode(s)		Common/Differential mode
POWER SPD TYPE		UL1449 5th Ed. TYPE 4CA
VOLTS	(V)	240/120
AC/DC/DC PV/RF		AC
PHASE	(PH)	1S
AMPS	(A)	N/A
AMBIENT MIN	(C)	-35
AMBIENT MAX	(C)	+60
MODES		L-L, L-G, L-N, N-G
MLV	(V)	-/1460/1890/1340
MCOV	(V)	-/150/150/255
IN	(kA)	20
15 impulses 8/20μs		
SCCR	(kA)	n/a
IMAX	(kA)	40
8/20μs		
Option		
Remote status dry contact electrical ratingMax Voltage	V	250.0000
Remote status dry contact electrical ratingMax Current	A	0.5000
RFI Filter		No
Installation		
Wiring type		screw
Operating TemperatureMin	°C	-40.0000
Operating TemperatureMax	°C	85.0000
Operating Relative HumidityMax	%RH	95
Housing/Enclosure material		Thermoplastic
Flammability ratingUL 94		V0
IP Environmental ratingIP		IP20
Installation Location		Indoor / outdoor
Spare part		Module
Miscellaneous		
Storage Relative HumidityMax	%RH	95.0000
Mechanical Characteristics		
Connection to Network		By screw terminals: 1.5-10mm ² (L/N) or 2.5-25mm ² (PE)
Format		Plug-in modular box
Failsafe mode		Disconnection from AC network
TECHNOLOGY		MOV+GSG
NETWORK CONFIGURATION		2 pole, 2W+G, Single/Spilt Phase
CONNECTION METHOD		Screw Terminal, 15-5AWG Solid Wire, 15-7AWG Stranded Wire
MOUNTING		Din Rail
MATERIAL		Thermoplastic UL94-V0
NEMA RATING (IP RATING)		NEMA 2 (IP20)
FAIL-SAFE BEHAVIOR		Disconnection via fuse-link
REAL-TIME DIAGNOSTICS		Visual indicator and remote contacts
DIMENSIONS		See diagram (mm)
WEIGHT		0.30 lbs
Standards		
Certification		UL Recognized
UL STANDARD		UL1449 5th Edition & UL121201
UL CATEGORY		VZCA2, VZCA8, VZCH, VZCH7
UL FILE NUMBER		E326289, E527348
UL121201 HAZARDOUS LOCATION		Class I, Division 2, Groups A, B, C & D: Operating. Temp. T5
STANDARDS		NOM-003-SCFI-2014, NOM-001-SCFI-1993



UL121201 Hazardous Locations- I_{max} 40kA - In 20kA - Modular

DS240S-120/G-Ex

ENVIRONMENTAL STANDARDS	ROHS
Part number	
897007	

