

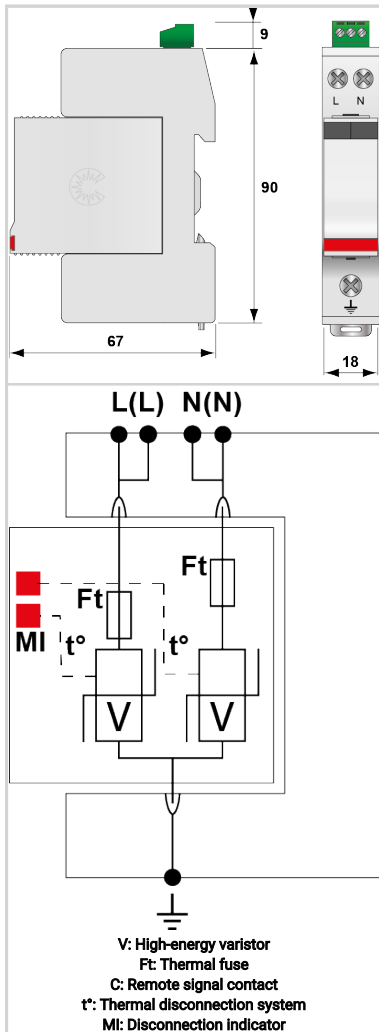


CITEL

DS240S-120-Ex



- UL121201 Hazardous Locations
- MOV Technology
- UL1449 Type 4CA
- 40kA Surge Current Rating
- Visual fault indicator and remote contacts
- 10-Year warranty



Electrical Characteristics		
Network		120/208 V
Nominal line voltage	Un	120 Vac
Max. AC operating voltage	Uc	150 Vac
Max. load current		
if series connection	IL	20 A
Max. discharge current		
max. withstand @ 8/20 μs by pole	Imax	40 kA
Total Maximum discharge current		
max. total withstand @ 8/20 μs	Imax Total	80 kA
Connection mode(s)		L/PE and N/PE
Protection mode(s)		Common mode
Residual voltage at 5 kA @ 5 kA (8/20μs)	Up-5kA	0.6 kV
POWER SPD TYPE		UL1449 5th Ed. TYPE 4CA
VOLTS	(V)	240/120
AC/DC/DC PV/RF		AC
PHASE	(PH)	1S
AMPS	(A)	N/A
AMBIENT MIN	(C)	-40
AMBIENT MAX	(C)	+85
MODES		L-L, L-N, L-G, N-G
MLV	(V)	2010/1580/2010/1580
MCOV	(V)	300/150/300/150
IN	(kA)	20
15 impulses 8/20μs		
SCCR	(kA)	n/a
IMAX	(kA)	40
8/20μs		
Mechanical Characteristics		
Technology		MOV
Connection to Network		By screw terminals: 1.5-10mm ² (L/N) or 2.5-25mm ² (PE)
Format		Plug-in modular box
Mounting		Symmetrical rail 35 mm (EN 60715)
Operating temperature	Tu	-40/+85°C
Protection rating		IP20
Failsafe mode		Disconnection from AC network
TECHNOLOGY		MOV
NETWORK CONFIGURATION		1PH, 2W+G, Single Phase (or 2PH, 2W+G, Two Phase)
CONNECTION METHOD		Screw Terminal, 15-5AWG Solid Wire, 15-7AWG Stranded Wire
MOUNTING		Din Rail
MATERIAL		Thermoplastic UL94-V0
NEMA RATING (IP RATING)		NEMA 2 (IP20)
FAIL-SAFE BEHAVIOR		Disconnection via fuse-link
REAL-TIME DIAGNOSTICS		Visual indicator and remote contacts



CITEL

DS240S-120-Ex

DIMENSIONS	See diagram
WEIGHT	0.30 lbs
SPARE PART	DSM240-120
Standards	
Certification	cRUus
Environmental standards	EU RoHS
UL STANDARD	UL1449 5th Edition & UL121201
UL CATEGORY	VZCA2, VZCA8, VZCH, VZCH7
UL FILE NUMBER	E326289, E527348
UL121201 HAZARDOUS LOCATION	Class I, Division 2, Groups A, B, C & D: Operating. Temp. T5
STANDARDS	NOM-003-SCFI-2014, NOM-001-SCFI-1993
Part number	
897006	

