



CITEL

UL TYPE 1 SPD - I_{max} 75kA - In 20/30kA - Modular Assembly

DS71US-460-Ex

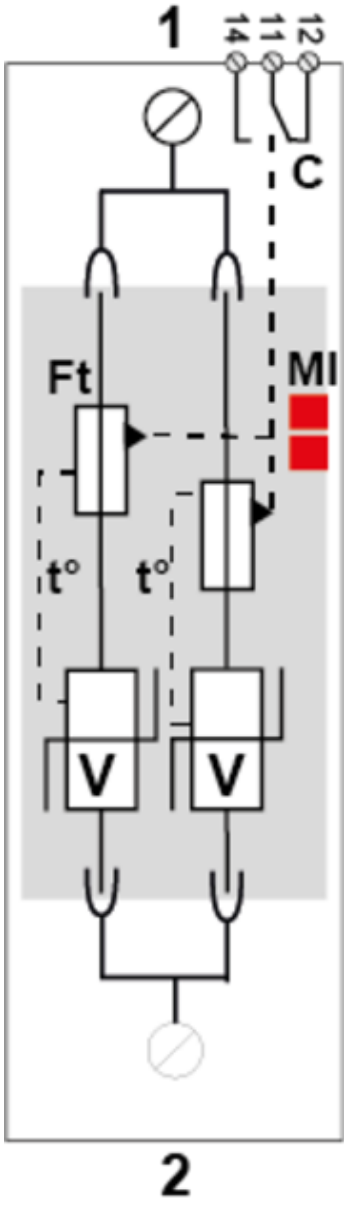
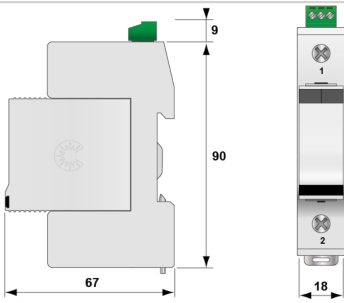


- ✦ UL121201 LISTED-Hazardous Locations
- ✦ Multi-MOV Technology
- ✦ UL1449 Type 1 LISTED
- ✦ 75kA Surge Current Rating per module
- ✦ Visual fault indicator and remote contacts
- ✦ Replaceable Modules
- ✦ 10-Year warranty



CITEL

DS71US-460-Ex



Electrical Characteristics

POWER SPD TYPE		UL1449 TYPE 1 LISTED
VOLTS	(V)	347
AC/DC/DC PV/RF		AC
PHASE	(PH)	1
AMPS	(A)	N/A
AMBIENT MIN	(C)	-40
AMBIENT MAX	(C)	+85
MODES		L-G
VPR	(V)	1500
MCOV	(V)	460
IN	(kA)	20
15 impulses 8/20µs		
SCCR	(kA)	200
IMAX	(kA)	75
8/20µs		
RELATIVE HUMIDITY	(%)	95%

Mechanical Characteristics

TECHNOLOGY		Multi-MOV
NETWORK CONFIGURATION		2 wires
CONNECTION METHOD		Screw Terminal, 13-2AWG Solid Wire, 13-4AWG Stranded Wire
MOUNTING		Din Rail
MATERIAL		Thermoplastic UL94-V0
NEMA RATING (IP RATING)		NEMA 2 (IP20)
FAIL-SAFE BEHAVIOR		Yes, no upstream over current protection required
REAL-TIME DIAGNOSTICS		Visual indicator and remote contacts
DIMENSIONS		See diagram

Standards

UL STANDARD		UL1449 5th Edition & UL121201
UL CATEGORY		VZCA, VZCA7, VZCH, VZCH7
UL FILE NUMBER		E326289, E527348
UL121201 HAZARDOUS LOCATION		Class I, Division 2, Groups A, B, C & D: Operating Temp. T5
STANDARDS		NOM-003-SCFI-2014, NOM-001-SCFI-1993
ENVIRONMENTAL STANDARDS		ROHS

Part number

897005

