



CITEL

UL TYPE 1 SPD - I_{max} 75kA - In 20/30kA - Modular Assembly

DS71US-420-Ex

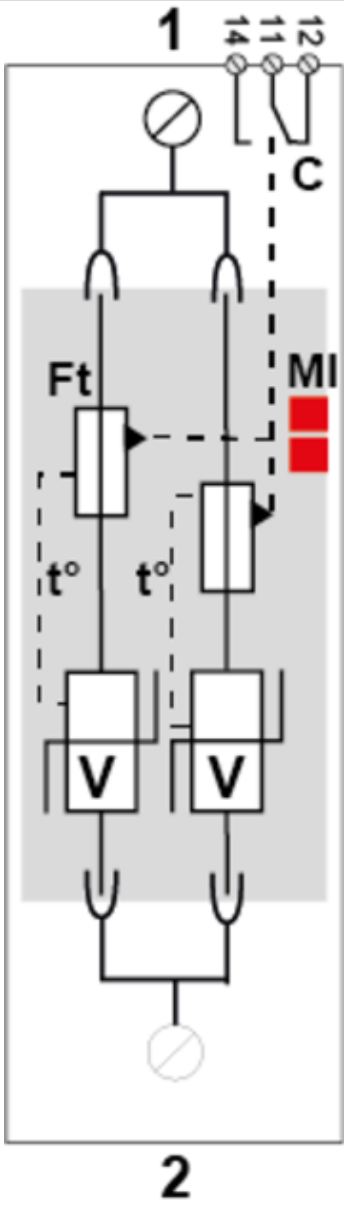
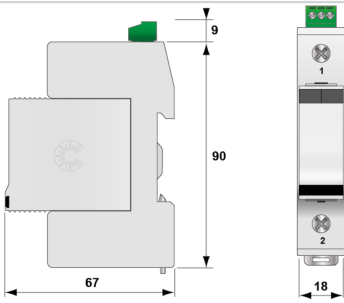


- ✦ UL121201 LISTED-Hazardous Locations
- ✦ Multi-MOV Technology
- ✦ UL1449 Type 1 LISTED
- ✦ 75kA Surge Current Rating per module
- ✦ Visual fault indicator and remote contacts
- ✦ Replaceable Modules
- ✦ 10-Year warranty



CITEL

DS71US-420-Ex



Características eléctricas

POWER SPD TYPE		UL1449 TYPE 1 LISTED
TENSION	(V)	277
AC/DC/DC PV/RF		AC
FASE	(PH)	1
AMPS	(A)	N/A
AMBIENT MIN	(C)	-40
AMBIENT MAX	(C)	+85
MODOS		L-G
VPR	(V)	1500
MCOV	(V)	420
IN	(kA)	20
I _{cc} cortocircuito	(kA)	200
IMAX	(kA)	75
RELATIVE HUMIDITY	(%)	95%

Características mecánicas

TECNOLOGIA		Multi-MOV
CONFIGURACION DE RED		2 wires
FORMA DE CONEXION		Screw Terminal, 13-2AWG Solid Wire, 13-4AWG Stranded Wire
MONTAJE		Din Rail
MATERIAL		Thermoplastic UL94-V0
NEMA RATING (IP RATING)		NEMA 2 (IP20)
DESCONEXION SEGURA		Yes, no upstream over current protection required
REAL-TIME DIAGNOSTICS		Visual indicator and remote contacts
DIMENSIONS		See diagram

Normas

UL STANDARD		UL1449 5th Edition & UL121201
UL CATEGORY		VZCA, VZCA7, VZCH, VZCH7
UL FILE NUMBER		E326289, E527348
UL121201 HAZARDOUS LOCATION		Class I, Division 2, Groups A, B, C & D: Operating. Temp. T5
NORMAS		NOM-003-SCFI-2014, NOM-001-SCFI-1993
ENVIRONMENTAL STANDARDS		ROHS

Código

897004

