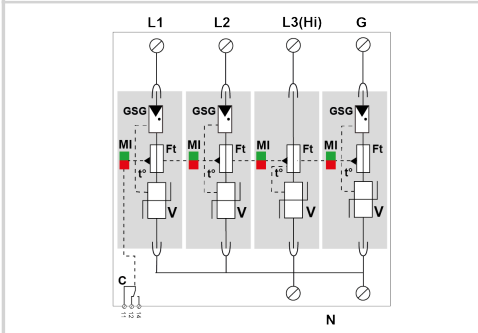
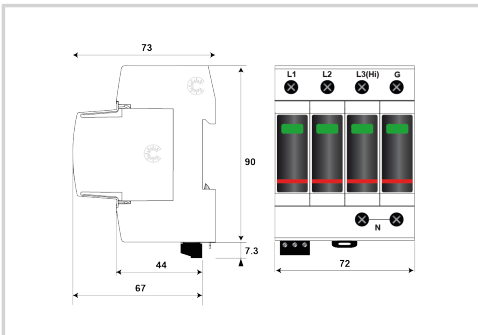




CITEL



- ▶ VG Technology
- ▶ UL1449 Type 4CA
- ▶ 50kA Surge Current Rating
- ▶ Visual fault indicator and remote contacts
- ▶ 10-Year warranty



Electrical Characteristics	
POWER SPD TYPE	UL1449 5th Ed. TYPE 4CA
VOLTS	(V) 480/240
AC/DC/DC PV/RF	AC
PHASE	(PH) 3H
AMPS	(A) N/A
AMBIENT MIN	(C) -40
AMBIENT MAX	(C) +85
MODES	L-L, L-N, L-G, N-G, H-L, H-N, H-G
MLV	(V) 6720/3360/3360/3310/8440/4220/4220
MCOV	(V) 610/150/305/305/815/510/510
IN	(kA) 20
	15 impulses 8/20 $\mu$ s
SCCR	(kA) n/a
IMAX	(kA) 50
	8/20 $\mu$ s
Mechanical Characteristics	
TECHNOLOGY	MOV-GSG
NETWORK CONFIGURATION	4 pole, 4W+G, Hi-Leg Delta
CONNECTION METHOD	Screw Terminal (4-13AWG)
MOUNTING	Din Rail
MATERIAL	Thermoplastic UL94-V0
NEMA RATING (IP RATING)	NEMA 2 (IP20)
FAIL-SAFE BEHAVIOR	Disconnection via fuse-link
REAL-TIME DIAGNOSTICS	Visual indicator and remote contacts
DIMENSIONS	See diagram
WEIGHT	0.79 lbs
Standards	
UL STANDARD	UL1449 5th Edition
UL CATEGORY	VZCA2
UL FILE NUMBER	E326289
STANDARDS	NOM-003-SCFI-2014, NOM-001-SCFI-1993
ENVIRONMENTAL STANDARDS	ROHS
Part number	
<b>821130224555</b>	

