

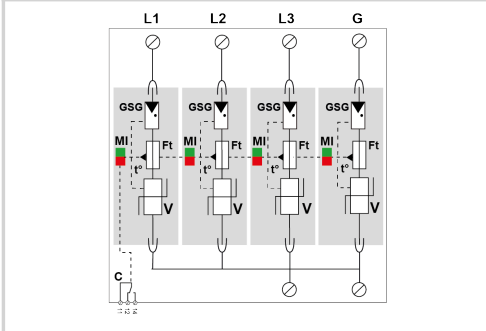
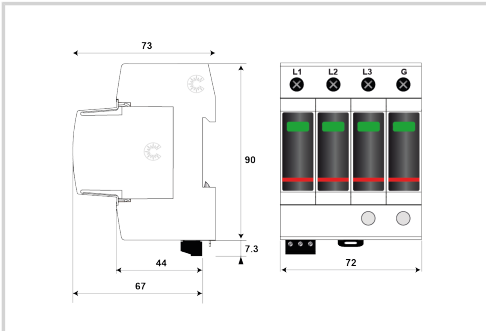


CITEL

DAC54VGUS-480D



- ▶ VG Technology
- ▶ UL1449 Type 4CA
- ▶ 50kA Surge Current Rating
- ▶ Visual fault indicator and remote contacts
- ▶ 10-Year warranty



Electrical Characteristics

POWER SPD TYPE		UL1449 5th Ed. TYPE 4CA
VOLTS	(V)	480
AC/DC/DC PV/RF		AC
PHASE	(PH)	3D
AMPS	(A)	N/A
AMBIENT MIN	(C)	-40
AMBIENT MAX	(C)	+85
MODES		L-L, L-G
MLV	(V)	4220/4220
MCOV	(V)	510/510
IN	(kA)	20
<i>15 impulses 8/20μs</i>		
SCCR	(kA)	n/a
IMAX	(kA)	50
<i>8/20μs</i>		

Mechanical Characteristics

TECHNOLOGY		MOV-GSG
NETWORK CONFIGURATION		4 pole, 3W+G, Delta
CONNECTION METHOD		Screw Terminal (4-13AWG)
MOUNTING		Din Rail
MATERIAL		Thermoplastic UL94-V0
NEMA RATING (IP RATING)		NEMA 2 (IP20)
FAIL-SAFE BEHAVIOR		Disconnection via fuse-link
REAL-TIME DIAGNOSTICS		Visual indicator and remote contacts
DIMENSIONS		See diagram
WEIGHT		0.75 lbs

Standards

UL STANDARD		UL1449 5th Edition
UL CATEGORY		VZCA2
UL FILE NUMBER		E326289
STANDARDS		NOM-003-SCFI-2014, NOM-001-SCFI-1993
ENVIRONMENTAL STANDARDS		ROHS

Part number

821130224554

