



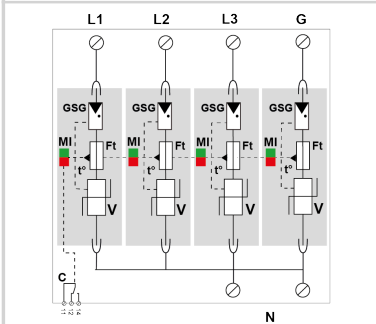
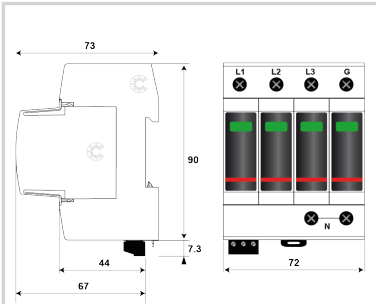
CITEL

UL TYPE 4CA - I_{max} 50kA - I_n 20kA - Modular

DAC54VGUS-240Y



- › VG Technology
- › UL1449 Type 4CA
- › 50kA Surge Current Rating
- › Visual fault indicator and remote contacts
- › 10-Year warranty



V: High-energy varistor
GSG: Specific gas tube
Ft: Thermal fuse
C: Remote signaling contact
t*: Thermal disconnection system
MI: Disconnection indicator

Electrical Characteristics	
Network	480 V 3-phase
Max. AC operating voltage	U _c 275 Vac
Max. discharge current <i>max. withstand @ 8/20 μs by pole</i>	I _{max} 50 kA
Total Maximum discharge current <i>max. total withstand @ 8/20 μs</i>	I _{max} Total 200 kA
Connection mode(s)	L/PE and N/PE
Protection level N/PE <i>@ I_n (8/20μs)</i>	Up N/PE 1.5 kV
POWER SPD TYPE	UL1449 5th Ed. TYPE 4CA
VOLTS	(V) 120/208/240
AC/DC/DC PV/RF	AC
PHASE	(PH) 3Y
AMPS	(A) N/A
AMBIENT MIN	(C) -40
AMBIENT MAX	(C) +85
MODES	L-L, L-N, L-G, N-G
MLV	(V) 6580/6580/3290/3260
MCOV	(V) 610/305/305/305
I _N <i>15 impulses 8/20μs</i>	(kA) 20
SCCR	(kA) n/a
IMAX <i>8/20μs</i>	(kA) 50
Mechanical Characteristics	
Technology	VG Technology (MOV+GSG)
Connection to Network	By screw terminals: 2.5-25mm ² (35mm ² rigid)
Format	Plug-in modular box
Mounting	Symmetrical rail 35 mm (EN 60715)
Operating temperature	T _u -40/+85°C
Protection rating	IP20
Failsafe mode	Disconnection from AC network
TECHNOLOGY	MOV-GSG
NETWORK CONFIGURATION	4 pole, 4W+G, 3PH Wye
CONNECTION METHOD	Screw Terminal (4-13AWG)
MOUNTING	Din Rail
MATERIAL	Thermoplastic UL94-V0
NEMA RATING (IP RATING)	NEMA 2 (IP20)
FAIL-SAFE BEHAVIOR	Disconnection via fuse-link
REAL-TIME DIAGNOSTICS	Visual indicator and remote contacts
DIMENSIONS	See diagram
WEIGHT	0.79 lbs
Standards	
Certification	UL Recognized
Environmental standards	EU RoHS
UL STANDARD	UL1449 5th Edition
UL CATEGORY	VZCA2
UL FILE NUMBER	E326289
STANDARDS	NOM-003-SCFI-2014, NOM-001-SCFI-1993
Part number	
821130224552	

