



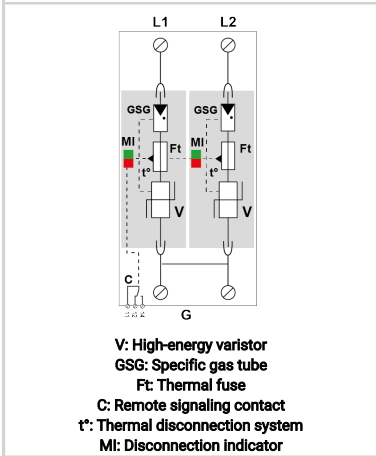
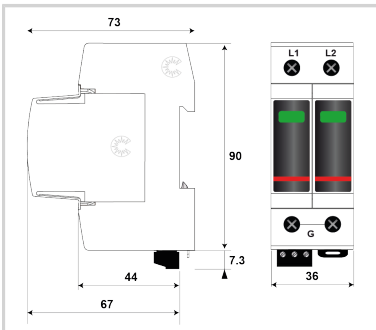
CITEL

UL TYPE 4CA - I_{max} 50kA - I_n 20kA - Modular

DAC52VGUS-240T/NN



- ▶ VG Technology
- ▶ UL1449 Type 4CA
- ▶ 50kA Surge Current Rating
- ▶ Visual fault indicator and remote contacts
- ▶ 10-Year warranty



Electrical Characteristics

Network		230/400V
Max. AC operating voltage	Uc	275 Vac
Max. discharge current <i>max. withstand @ 8/20 μs by pole</i>	I _{max}	50 kA
Total Maximum discharge current <i>max. total withstand @ 8/20 μs</i>	I _{max} Total	100 kA
Connection mode(s)		L/PE and N/PE
Protection level N/PE <i>@ I_n (8/20μs)</i>	Up N/PE	1.5 kV
POWER SPD TYPE		UL1449 5th Ed. TYPE 4CA
VOLTS	(V)	120/208/240
AC/DC/DC PV/RF		AC
PHASE	(PH)	3Y
AMPS	(A)	N/A
AMBIENT MIN	(C)	-40
AMBIENT MAX	(C)	+85
MODES		L-L, L-N
VPR	(V)	1000/1800/900
MLV	(V)	6580/3290
MCOV	(V)	610/305
IN <i>15 impulses 8/20μs</i>	(kA)	20
SCCR	(kA)	n/a
IMAX <i>8/20μs</i>	(kA)	50
limp <i>10/350μs</i>	(kA)	4

Mechanical Characteristics

Technology		VG Technology (MOV+GSG)
Connection to Network		By screw terminals: 2.5-25mm ² (35mm ² rigid)
Format		Plug-in modular box
Mounting		Symmetrical rail 35 mm (EN 60715)
Operating temperature	Tu	-40/+85°C
Protection rating		IP20
Failsafe mode		Disconnection from AC network
TECHNOLOGY		MOV-GSG
NETWORK CONFIGURATION		2 Pole, 2W+G, 3PH Wye
CONNECTION METHOD		Screw Terminal (4-13AWG)
MOUNTING		Din Rail
MATERIAL		Thermoplastic UL94-V0
NEMA RATING (IP RATING)		NEMA 2 (IP20)
FAIL-SAFE BEHAVIOR		Disconnection via fuse-link
REAL-TIME DIAGNOSTICS		Visual indicator and remote contacts
DIMENSIONS		See diagram
WEIGHT		0.44 lbs
SPARE PART		MDAC50VG-275

Standards

Certification		UL Recognized
Environmental standards		EU RoHS
UL STANDARD		UL1449 5th Edition
UL CATEGORY		VZCA2
UL FILE NUMBER		E326289
STANDARDS		NOM-003-SCFI-2014, NOM-001-SCFI-1993



CITEL

UL TYPE 4CA - I_{max} 50kA - In 20kA - Modular

DAC52VGUS-240T/NN

Part number

821130222553

