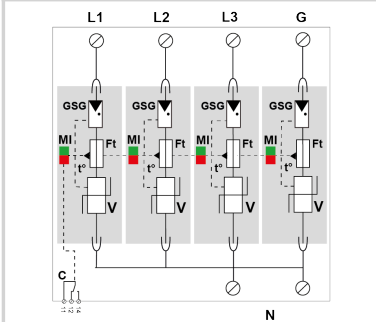
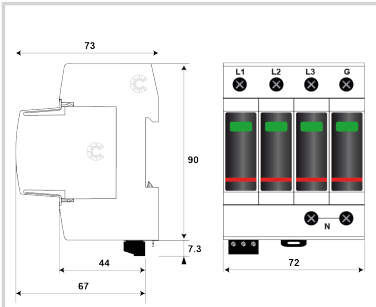




CITEL



- VG Technology
- UL1449 Type 4CA
- 50kA Surge Current Rating
- Visual fault indicator and remote contacts
- 10-Year warranty



V: High-energy varistor
GSG: Specific gas tube
Ft: Thermal fuse
C: Remote signaling contact
t*: Thermal disconnection system
MI: Disconnection indicator

Electrical Characteristics

Network		120/208 V
Max. AC operating voltage	U _c	150 Vac
Max. discharge current <i>max. withstand @ 8/20 μs by pole</i>	I _{max}	50 kA
Total Maximum discharge current <i>max. total withstand @ 8/20 μs</i>	I _{max} Total	200 kA
Connection mode(s)		L/PE and N/PE
Protection level N/PE <i>@ I_n (8/20μs)</i>	Up N/PE	1.5 kV
POWER SPD TYPE		UL1449 5th Ed. TYPE 4CA
VOLTS	(V)	208/120
AC/DC/DC PV/RF		AC
PHASE	(PH)	3Y
AMPS	(A)	N/A
AMBIENT MIN	(C)	-40
AMBIENT MAX	(C)	+85
MODES		L-L, L-N, L-G, N-G
MLV	(V)	6620/6620/3310/3240
MCOV	(V)	300/150/150/150
I _N <i>15 impulses 8/20μs</i>	(kA)	20
SCCR	(kA)	n/a
I _{MAX} <i>8/20μs</i>	(kA)	50

Mechanical Characteristics

Technology		VG Technology (MOV+GSG)
Connection to Network		By screw terminals: 2.5-25mm ² (35mm ² rigid)
Format		Plug-in modular box
Mounting		Symmetrical rail 35 mm (EN 60715)
Operating temperature	T _u	-40/+85°C
Protection rating		IP20
Failsafe mode		Disconnection from AC network
TECHNOLOGY		MOV-GSG
NETWORK CONFIGURATION		4 pole, 4W+G, 3PH Wye
CONNECTION METHOD		Screw Terminal (4-13AWG)
MOUNTING		Din Rail
MATERIAL		Thermoplastic UL94-V0
NEMA RATING (IP RATING)		NEMA 2 (IP20)
FAIL-SAFE BEHAVIOR		Disconnection via fuse-link
REAL-TIME DIAGNOSTICS		Visual indicator and remote contacts
DIMENSIONS		See diagram
WEIGHT		0.75 lbs

Standards

Certification		UL Recognized
Environmental standards		EU RoHS
UL STANDARD		UL1449 5th Edition
UL CATEGORY		VZCA2
UL FILE NUMBER		E326289
STANDARDS		NOM-003-SCFI-2014, NOM-001-SCFI-1993

Part number

821130124551

