

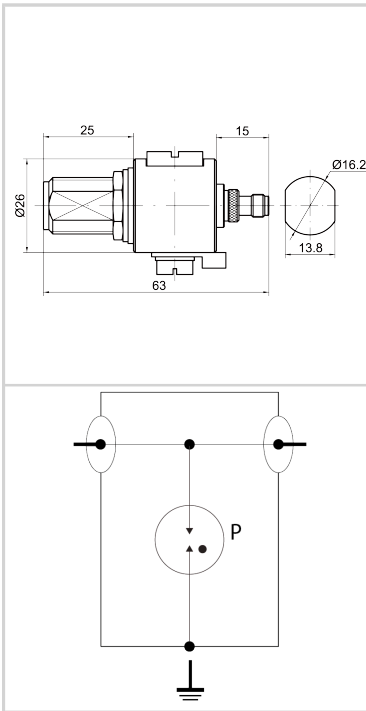


P8AX50-NWSMA/FF

CITEL



►4GHz Bi-Directional Coaxial Surge Protector - High Energy GDT Technology - Low Insertion Loss - Field Replaceable GDT - Waterproof Design - DC Pass - UL497E Listed



Electrical Characteristics			
Max. DC operating voltage	Uc	400 Vdc	
Frequency range	f	DC-3.5 GHz	
Insertion loss		< 0.2 dB	
Return loss		> 20 dB	
Impedance		50 ohms	
VSWR		<1.2:1	
Max. load current @25°C	IL	10 A	
Max. discharge current max. withstand @ 8/20 µs by pole	I _{max}	20 kA	
Nominal discharge current C2 Category	I _n	5 kA	
Protection mode(s)		Common mode	
Protection level @1kV/µs (C3)	U _p	< 1200 V	
Impulse current 2 x 10/350µs Test - D1 Category	I _{imp}	1 kA	
Max Power		780 W	
Typical let through energy (50 ohms) input 4kV 1.2/50µs - 2kA 8/20µs		1100 µJ	
DC Pass		Yes	
Insulation resistance	IR	≥10 GOhms	
RF Power Maximum	W	780.0000	
Return Loss Minimum	db	20	
VSWR Maximum	:1	<1.2:1	
Max Total Discharge Current I _{max} (8/20µs x 1)	kA	20.0000	
Max Discharge Current I _{max} (8/20µs x 1)	kA	20.0000	
RF SPD TYPE		UL497E LISTED	
VOLTS	(V)	48	
AC/DC/DC PV/RF		RF	
WIRES		1W+GROUND	
LINE CURRENT MAX	(A)	10	
AMBIENT MIN	(C)	-40	
AMBIENT MAX	(C)	+85	
IMAX 8/20µs	(kA)	20	
FREQUENCY RANGE	(GHz)	0-4.0	
INSERTION LOSS (@ FREQ)	(db)	<0.2	
RETURN LOSS	(db)	22	
VSWR		<1.25:1	
Installation			
Operating Temperature _{Min}	°C	-45.0000	
Operating Temperature _{Max}	°C	85.0000	
Operating Temperature _{Min}	°F	-50.0000	
Operating Temperature _{Max}	°F	85.0000	
Operating Relative Humidity _{Max}	%RH	Can be submerged	
Operating Altitude _{Min}	Ft	2000.0000	
Operating Altitude _{Max}	Ft	6500.0000	
Housing/Enclosure material		Cu, Zn, Sn plated Brass	
Mounting		Bracket or Bulkhead through-hole	
IP Environmental rating/IP		IP65	
NEMA Environmental rating/NEMA		NEMA 4	
Installation Location		Indoor / outdoor	
Spare part		BB HF 500/20	



CITEL

P8AX50-NWSMA/FF

Accessories		BK series mounting bracket
Product Dimension L	mm	64.0000
Product Dimension H	mm	26.0000
Product Dimension W	mm	13.8000
Product Dimension L	In	2.5100
Product Dimension H	In	1.0200
Product Dimension W	In	0.5400
Miscellaneous		
Individual Pack		No
Storage Temperature Min	°C	-40.0000
Storage Temperature Max	°C	85.0000
Storage Temperature Min	°F	-40.0000
Storage Temperature Max	°F	85.0000
Mechanical Characteristics		
Technology		Gas discharge tube
Connection to Network		Connector N Female/SMA Female
Mounting		Bulkhead or Bracket
Operating temperature	Tu	-40/+85°C
Protection rating		IP65
Failsafe mode		Short-circuit
Contacts		Bronze/Surface Au-Ag
Insulation material		PTFE
TECHNOLOGY		GDT
CONNECTION METHOD		SERIES CONNECTOR, BI-DIRECTIONAL
MOUNTING		BULKHEAD, OPTIONAL BRACKET
MATERIAL		Housing-Cu, Zn, Sn plated Brass
NEMA RATING (IP RATING)		NEMA 6P (IP67)
DIMENSIONS		See diagram
WEIGHT		0.30 lbs
Standards		
Environmental standards		EU RoHS
RohS compliance		Yes
UL STANDARD		UL497E
UL CATEGORY		QVLA
UL FILE NUMBER		E349646
STANDARDS		NOM-003-SCFI-2014, NOM-001-SCFI-1993
Part number		
611826		

