



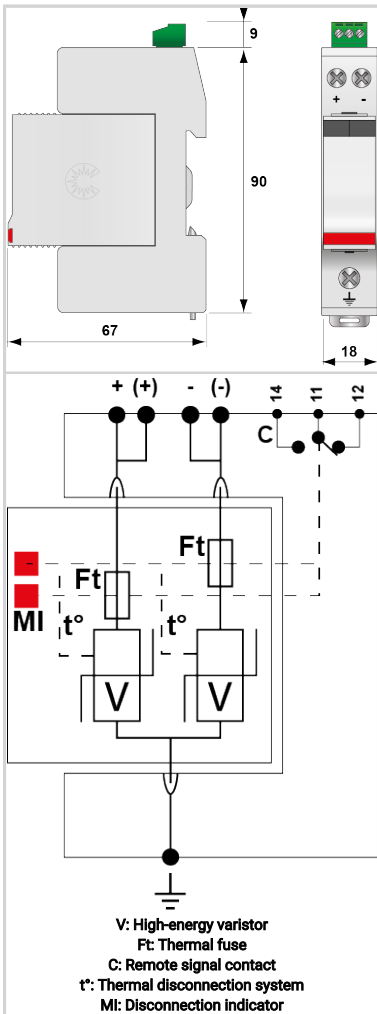
DS220S-48DC

CITEL



- DC power surge protector
- 48Vdc
- I_{max}:20kA
- Pluggable module
- Remote signaling
- Very low U_p protection level

Red - to be replaced
 Parafoudre DC
 Surge Protector
DS220-48DC
 Uc 56 Vdc
 I_n 10 kA
 I_{max} 20 kA
 U_p 400 V
 CITEL



Electrical Characteristics		
Network		DC or PV network 48Vdc
Nominal line voltage	Un	48 Vdc
Max. AC operating voltage	Uc	50 Vac
Max. DC operating voltage	Uc	65 Vdc
Max. load current @25°C	IL	50 A
Max. discharge current <i>max. withstand @ 8/20 μs by pole</i>	I _{max}	20 kA
Total Maximum discharge current <i>max. total withstand @ 8/20 μs</i>	I _{max} Total	40 kA
Connection mode(s)		+/-/PE
Protection mode(s)		Common mode
POWER SPD TYPE		UL1449 5th Ed. TYPE 4CA
VOLTS	(V)	48
AC/DC/DC PV/RF		DC
PHASE	(PH)	
AMPS	(A)	N/A
AMBIENT MIN	(C)	-30
AMBIENT MAX	(C)	+85
MODES		DC+G or DC-G
MLV DC	(V)	560
MCOV	(V)	65
IN	(kA)	10
<i>15 impulses 8/20μs</i>		
SCCR	(kA)	n/a
IMAX	(kA)	30
<i>8/20μs</i>		
Mechanical Characteristics		
Technology		MOV
Connection to Network		By screw terminals: 1.5-10mm ² (actives wires) and 2.5-25mm ² (ground)
Format		Plug-in modular box
Mounting		Symmetrical rail 35 mm (EN 60715)
Operating temperature	Tu	-40/+85°C
Protection rating		IP20
Failsafe mode		Disconnection from DC network
TECHNOLOGY		MOV
NETWORK CONFIGURATION		2W+G
CONNECTION METHOD		SPD-Screw Terminal (8-12AWG), Terminal blocks 6AWG
MOUNTING		Wall mount
MATERIAL		Thermoplastic UL94-V0
NEMA RATING (IP RATING)		NEMA 2 (IP20)
FAIL-SAFE BEHAVIOR		Disconnection via fuse-link
REAL-TIME DIAGNOSTICS		Visual indicator and remote contacts
DIMENSIONS		See diagram



CITEL

DS220S-48DC

WEIGHT	0.30 lbs
SPARE PART	DSM220-12DC
Standards	
Environmental standards	EU RoHS
UL STANDARD	UL1449 5th Edition
UL CATEGORY	VZCA2, VZCA8
UL FILE NUMBER	E326289
STANDARDS	IEC 61643-11, NOM-003-SCFI-2014, NOM-001-SCFI-1993
Part number	
390412	

