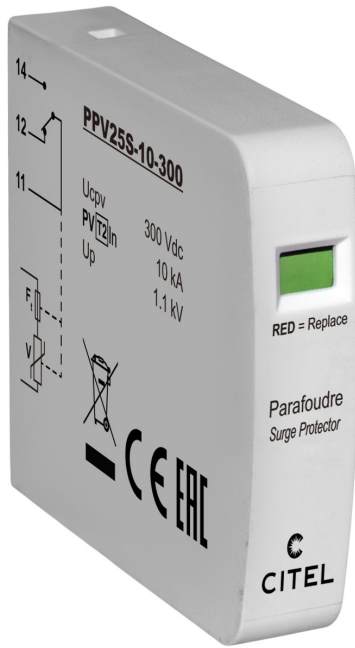
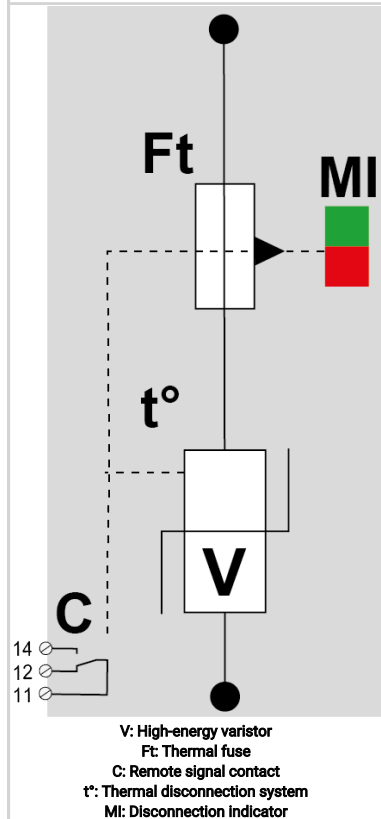
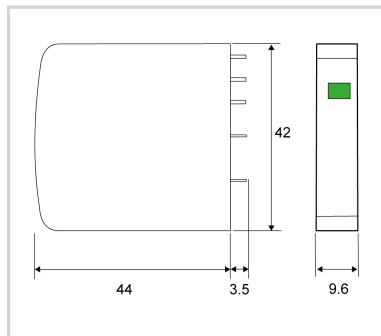




CITEL



PPV25S-10-300



Electrical Characteristics

Max. discharge current <i>max. withstand @ 8/20 μs by pole</i>	Imax	25 kA
Connection mode(s)		+/-/PE
Protection mode(s)		Common/Differential mode
Protection level +/-PE (-/PE) <i>@ In (8/20μs)</i>	Up	2.5 kV
Maximum Discharge Current <i>Imax (8/20)</i>	kA	40.0000
Maximum Discharge Current <i>Imax (8/20)</i>	kA	40.0000
Maximum Discharge Current <i>Imax (8/20)</i>	kA	40.0000
POWER SPD TYPE		UL1449 TYPE 4CA (Pending)
VOLTS	(V)	350
AC/DC/DC PV/RF		DC PV
PHASE	(PH)	
AMPS	(A)	N/A
AMBIENT MIN	(C)	-40
AMBIENT MAX	(C)	+85
MODES		DC+G or DC-G
MCOV	(V)	670/670/670
IN <i>15 impulses 8/20μs</i>	(kA)	20
SCCR	(kA)	100

Option

Remote status dry contact electrical rating	Max Voltage	V	250.0000
Remote status dry contact electrical rating	Max Current	A	0.5000
RFI Filter			no

Installation

Wiring type			Screw
Solid wire cross section	Min	mm²	4.0000
Solid Wire cross section	Max	mm²	25.0000
Stranded Wire cross section	Min	mm²	4.0000
Stranded wire cross section	Max	mm²	25.0000
Wire gauge	Min	AWG	12.0000
Wire gauge	Max	AWG	4.0000
Torque		Nm	2.0 - 2.5
Torque		in-lbs	17.8 - 22.1
Strip Length		mm	12.5000
Strip Length		in	0.5000
Operating Temperature	Min	°C	-40.0000
Operating Temperature	Max	°C	85.0000
Operating Temperature	Min	°F	-40.0000
Operating Temperature	Max	°F	85.0000
Operating Relative Humidity	Max	%RH	95
Operating Altitude	Min	Ft	2000.0000
Operating Altitude	Max	Ft	6500.0000
Housing/Enclosure material			Thermoplastic



CITEL

PPV25S-10-300

Flammability rating <i>UL 94</i>		V0
Mounting		Din Rail
IP Environmental rating <i>IP</i>		IP20
NEMA Environmental rating <i>NEMA</i>		NEMA 1
Installation Location		Indoor
Spare part		Module
Product Dimension <i>L</i>	mm	99.0000
Product Dimension <i>H</i>	mm	67.0000
Product Dimension <i>W</i>	mm	36.0000
Product Dimension <i>L</i>	In	3.8900
Product Dimension <i>H</i>	In	2.6400
Product Dimension <i>W</i>	In	1.4200
Miscellaneous		
Individual Pack		Yes
Storage Temperature <i>Min</i>	°C	-40.0000
Storage Temperature <i>Max</i>	°C	85.0000
Storage Temperature <i>Min</i>	°F	-40.0000
Storage Temperature <i>Max</i>	°F	85.0000
Storage Relative Humidity <i>Max</i>	%RH	95.0000
Mechanical Characteristics		
Technology		MOV
Connection to Network		Through soldering pins
Format		Plug-in modular box
Mounting		On Printed Circuit Board
Operating temperature	Tu	-40/+85°C
Protection rating		IP20
Failsafe mode		Disconnection SPD of the PV line
TECHNOLOGY		MOV
NETWORK CONFIGURATION		3 poles, 2W+G
CONNECTION METHOD		SPD-Screw Terminal (8-12AWG), Terminal blocks 6AWG
MOUNTING		Wall mount
MATERIAL		Thermoplastic UL94-V0
NEMA RATING (IP RATING)		NEMA 2 (IP20)
FAIL-SAFE BEHAVIOR		Disconnection via fuse-link
REAL-TIME DIAGNOSTICS		Visual indicator and remote contacts
DIMENSIONS		See diagram
Standards		
UL STANDARD		UL1449 5th Edition (Pending)
UL FILE NUMBER		E326289
Part number		
8721210		

