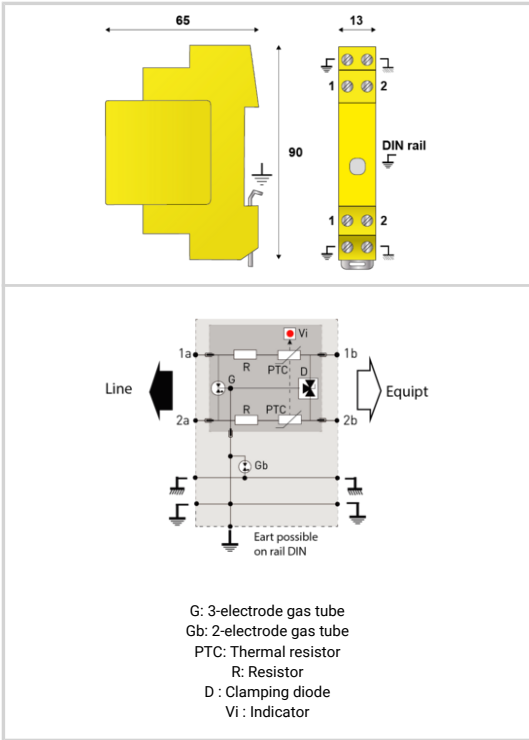




- ↳ Hybrid SAD-GDT Technology
- ↳ UL497B LISTED
- ↳ 20kA I_{max} (1x 8/20 μ s)
- ↳ 5kA I_{imp} (2x 10/350 μ s)
- ↳ 5kA I_n (10x 8/20 μ s)
- ↳ Modular with Visual Fault Indicator
- ↳ Spring & Screw Terminal versions
- ↳ Circuit disconnection with Module removal
- ↳ Common/Differential Mode Protection



Electrical Characteristics	
Network	4-20 mA
Max. DC operating voltage	U _c 28 Vdc
Max. frequency	f max. > 3 MHz
Insertion loss	< 1 dB
Protection mode(s)	Common/Differential mode
Protection Level C3 (10/1000 μ s), 300 applications@10 A, X-X (Line/Line)	U _p 40 V
Protection level C3 (10/1000 μ s), 300 applications@10 A, X-C (Line/Earth)	U _p 40 V
Impulse current 2 x 10/350 μ s Test - D1 Category	I _{imp} 5 kA
Nominal discharge current C2 Category	I _n 5 kA
Nominal Discharge Current, X-C (Line/Earth) 8/20 μ s Test x 10 - C2 Category	I _n L/PE 5 kA
Line resistance (\pm 10%)	4.7 Ohm
DATA SPD TYPE	UL497B LISTED
VOLTS	(V) 24
WIRES	2W+Shield+G
LINE CURRENT MAX	(A) 0.3
AMBIENT MIN	(C) -50
AMBIENT MAX	(C) +85
RESIDUAL VOLTAGE	(V) 40
MCOV	(V) 28
I _N 10 impulses 8/20 μ s	(kA) 5
I _{MAX} 8/20 μ s	(kA) 20
I _{imp} 10/350 μ s	(kA) 5
DATA SPEED	(Mbps) 10/100

Mechanical Characteristics	
Technology	GDT+Clamping diode+PTC (thermal resistor) + Resistor
Connection to Network	By screw terminal: cross section 0.5-2.5mm ²
Format	Plug-in DIN box
Failsafe mode	Opening line - transmission cut-off - fault mode 2
With line cut-off in case of removal plug-in module	Yes
TECHNOLOGY	SAD-GDT
NETWORK CONFIGURATION	1 pair
CONNECTION METHOD	Screw Terminal
MOUNTING	DIN RAIL
MATERIAL	Thermoplastic UL94-V0
NEMA RATING (IP RATING)	NEMA 2 (IP20)
DIMENSIONS	See diagram
WEIGHT	0.30 lbs
SPARE PART	DLASM-24D3

Standards	
Certification	UL Listed
UL STANDARD	UL497B
UL CATEGORY	QVGQ
UL FILE NUMBER	E184939
STANDARDS	IEC 61643-11, NOM-003-SCFI-2014, NOM-001-SCFI-1993
ENVIRONMENTAL STANDARDS	ROHS

Part number	
6419031	

