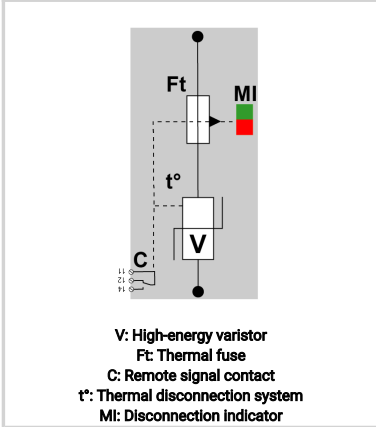
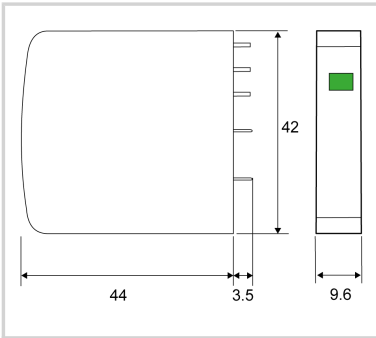
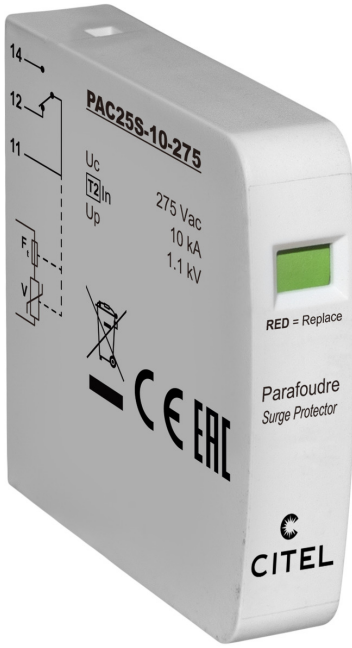




PAC25S-10-275

CITEL



Electrical Characteristics		
Max. AC operating voltage	Uc	275 Vac
Max. discharge current <i>max. withstand @ 8/20 μs by pole</i>	Imax	25 kA
IMAX <i>8/20 μs</i>	(kA)	25
Mechanical Characteristics		
Connection to Network		Through soldering pins
Mounting		On Printed Circuit Board
Operating temperature	Tu	-40/+85°C
Protection rating		IP20
Part number		
8711207		

