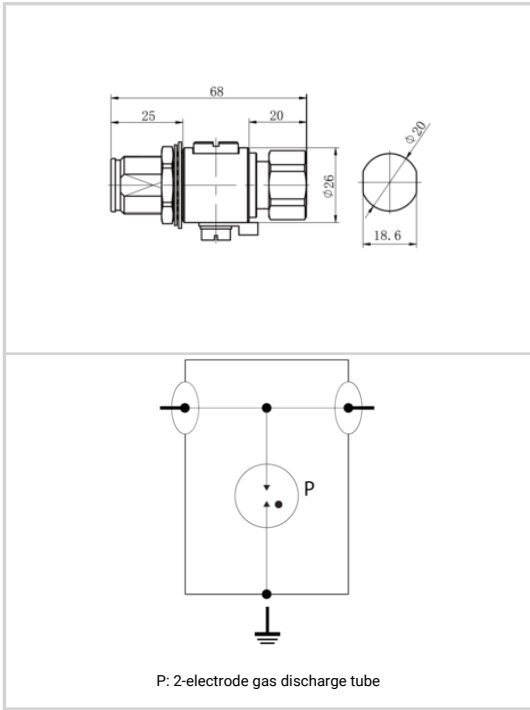




↳ 6GHz Bi-Directional Coaxial Surge Protector - High Energy GDT Technology - Low Insertion Loss - Field Replaceable GDT - Waterproof Design - DC Pass - UL497E Listed



Electrical Characteristics			
Max. DC operating voltage	Uc		400 Vdc
Frequency range	f		DC-3.5 GHz
Insertion loss			< 0.2 dB
Return loss			> 20 dB
Impedance			50 ohms
VSWR			<1.2:1
Max. load current @25°C	IL		10 A
Protection mode(s)			Common mode
Impulse current 2 x 10/350µs Test - D1 Category	limp		1 kA
Nominal discharge current C2 Category	In		5 kA
Max Power			780 W
DC Pass			Yes
Insulation resistance	IR		≥10 GOhms
RF Power Maximum	W		25.0000
Return Loss Minimum	db		>20
VSWR Maximum	:1		<1.2:1
Max Total Discharge Current Imax (8/20µs x 1)	kA		10.0000
Max Discharge Current Imax (8/20µs x 1)	kA		10.0000
RF SPD TYPE			UL497E LISTED
VOLTS	(V)		48
AC/DC/DC PV/RF			RF
WIRES			1W+GROUND
LINE CURRENT MAX	(A)		10
AMBIENT MIN	(C)		-40
AMBIENT MAX	(C)		+85
IMAX 8/20µs	(kA)		20
FREQUENCY RANGE	(GHz)		0-4.0
INSERTION LOSS (@ FREQ)	(db)		<0.2
RETURN LOSS	(db)		>22
VSWR			<1.25:1
Installation			
Operating TemperatureMin	°C		-45.0000
Operating TemperatureMax	°C		85.0000
Operating TemperatureMin	°F		-50.0000
Operating TemperatureMax	°F		85.0000
Operating Relative HumidityMax	%RH		Can be submerged
Operating AltitudeMin	Ft		2000.0000
Operating AltitudeMax	Ft		6500.0000
Housing/Enclosure material			Cu, Zn, Sn plated Brass
Mounting			Bracket or through hole
IP Environmental rating/IP			IP65
NEMA Environmental rating/NEMA			NEMA 4
Installation Location			Indoor / outdoor
Spare part			BB HF 90/20
Accessories			BK
Product DimensionL	mm		73.0000
Product DimensionH	mm		36.0000
Product DimensionW	mm		26.5000
Product DimensionL	In		2.8700
Product DimensionH	In		1.4200

Product Dimension	W	In	1.0400
Miscellaneous			
Individual Pack			No
Storage Temperature	Min	°C	-40.0000
Storage Temperature	Max	°C	85.0000
Storage Temperature	Min	°F	-40.0000
Storage Temperature	Max	°F	85.0000
Mechanical Characteristics			
Technology			Gas discharge tube
Connection to Network			Connector 4.3-10 Male/Female
Failsafe mode			Short-circuit
Contacts			Bronze/Surface Au-Ag
Insulation material			PTFE
Weight			0.159 kg
TECHNOLOGY			GDT
CONNECTION METHOD			SERIES CONNECTOR, BI-DIRECTIONAL
MOUNTING			BULKHEAD, OPTIONAL BRACKET
MATERIAL			Cu, Zn, Sn plated Brass, PTFE
NEMA RATING (IP RATING)			NEMA 6P (IP67)
DIMENSIONS			See diagram
WEIGHT			0.30 lbs
Standards			
RohS compliance			Yes
UL STANDARD			UL497E
UL CATEGORY			QVLA
UL FILE NUMBER			E349646
STANDARDS			NOM-003-SCFI-2014, NOM-001-SCFI-1993
ENVIRONMENTAL STANDARDS			ROHS
Part number			
60907			