



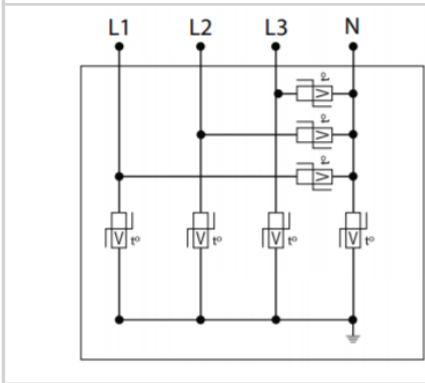
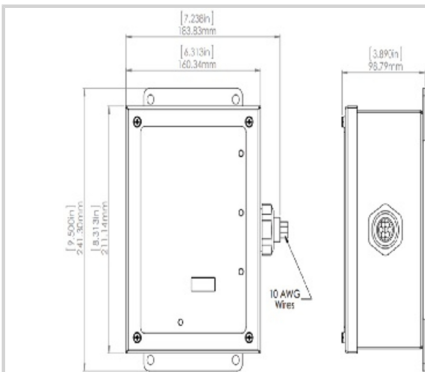
CITEL

UL TYPE 1 LISTED SPD - I_{max} 132kA per phase - I_n 20kA - NEMA Enclosure

MS100F-120T



- ▶ Multi-TMOV Technology
- ▶ UL1449 Type 1 LISTED
- ▶ 105-220kA Surge Current Rating
- ▶ Visual fault indicator, audible alarm and remote contacts
- ▶ 10-Year warranty



Características eléctricas	
POWER SPD TYPE	UL1449 TYPE 1 LISTED
TENSION	(V) 120/240
AC/DC/DC PV/RF	AC
FASE	(PH) 1
AMPS	(A) N/A
AMBIENT MIN	(C) -35
AMBIENT MAX	(C) +85
MODOS	L-L, L-N, L-G, N-G
VPR	(V) 1000/700/700/700
MCOV	(V) 300/150/150/150
IN	(kA) 20
I _{cc} <i>cortocircuito</i>	(kA) 200
I _{MAX}	(kA) 105
Características mecánicas	
Conexión a la red	hijo #10 AWG 36"
TECNOLOGIA	Multi-TMOV
CONFIGURACION DE RED	1PH, 3W+G, Split Phase
FORMA DE CONEXION	36" #10 AWG LEADS
MONTAJE	FLANGE MOUNT
MATERIAL	Steel
NEMA RATING (IP RATING)	NEMA 3R,4, 12 (IP65)
DESCONEXION SEGURA	Yes, no upstream over current protection required
REAL-TIME DIAGNOSTICS	% of protection present LED, audible alarm and remote contacts. Optional surge counter.
DIMENSIONS	See diagram
WEIGHT	6 lbs
Normas	
UL STANDARD	UL1449 5th Edition, UL1283
UL CATEGORY	VZCA, VZCA7, FOKY, FOKY7
UL FILE NUMBER	E326289
NORMAS	UL96A, ANSI C62.41/45, NOM-003-SCFI-2014, NOM-001-SCFI-1993, IEC61643-11
ENVIRONMENTAL STANDARDS	ROHS
Código	
890144	

