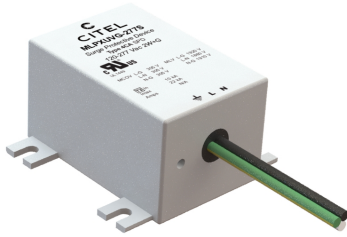




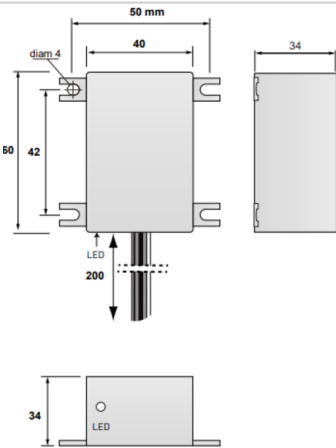
CITEL

LED SPD - I_{max} 20kA - I_n 10kA - 120-277Vac 2 wire + ground

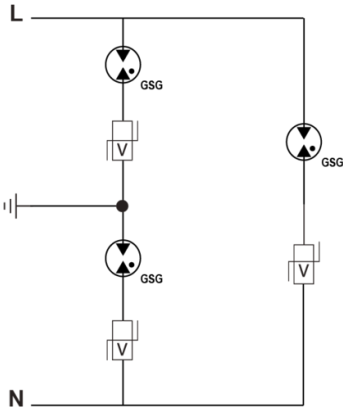
MLPXUVG-277S



- ✦ VG Technology
- ✦ for 120-277Vac LED applications
- ✦ I_{max} 20kA, I_n 10kA
- ✦ Optimized for TOV
- ✦ LED indicator option
- ✦ ANSI/IEEE C136.2 Extreme
- ✦ ANSI/IEEE C62.41 Category C
- ✦ UL Type 4CA
- ✦ 10-year Warranty



MLPXUVG-277S



V: Varistor
 Ft: Thermal fuse
 t*: Thermal disconnection system
 LED: Disconnection indicator

Electrical Characteristics

Network		347-480 Vac single-phase
POWER SPD TYPE		UL1449 5th Ed. TYPE 4CA
VOLTS	(V)	120-277
AC/DC/DC PV/RF		AC
PHASE	(PH)	1
AMPS	(A)	N/A
AMBIENT MIN	(C)	-35
AMBIENT MAX	(C)	+75
MODES		L-L, L-G, L-N, N-G
MLV	(V)	1880/1940/1930
MCOV	(V)	305/305/305
IN	(kA)	10
15 impulses 8/20µs		
SCCR	(kA)	n/a
IMAX	(kA)	20
8/20µs		

Mechanical Characteristics

Failsafe mode		Disconnection from AC network
TECHNOLOGY		VG (MOV+GSG)
NETWORK CONFIGURATION		1PH, 2W+G, Single Phase (or 2PH, 2W+G, Two Phase)
CONNECTION METHOD		PARALLEL VIA 8" #16 AWG LEADS
MOUNTING		FLANGE MOUNT
MATERIAL		Thermoplastic UL94-V0
NEMA RATING (IP RATING)		NEMA 6P (IP67)
FAIL-SAFE BEHAVIOR		TOV Immunity
REAL-TIME DIAGNOSTICS		LED Indicator (optional)
DIMENSIONS		See diagram
WEIGHT		0.30 lbs
SPARE PART		n/a

Standards

Certification		UL
UL STANDARD		UL1449 5th Edition
UL CATEGORY		VZCA2, VZCA8
UL FILE NUMBER		E326289
STANDARDS		IEC 61643-11, NOM-003-SCFI-2014, NOM-001-SCFI-1993
ANSI/IEEE C62.41		Category C 20kV/10kA
ANSI/IEEE C136.2		Extreme Category 20kV/10kA
ENVIRONMENTAL STANDARDS		ROHS

Part number

89072479

