



# CITEL

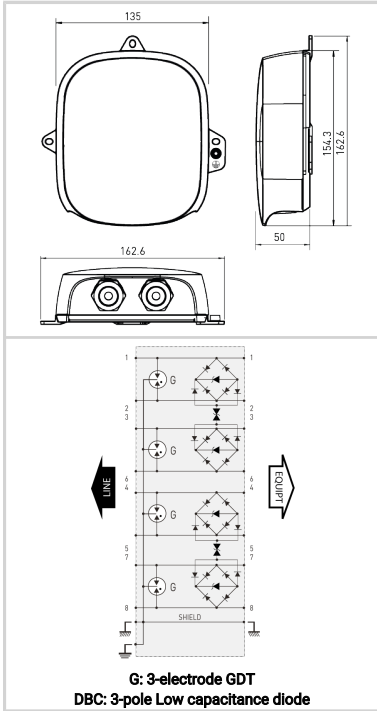


## Outdoor Category 6 POE Surge Protective Device

### CWMJ8-POE-C6A

POE++ and 10Gbps Ethernet

- Outdoor application
- Shielded RJ45
- I<sub>max</sub> 16kA 8/20us
- UL497B



Electrical Characteristics		
Network		10Gb/s on Cat6A S/FTP cabling
Protection modes (network)		CM / DM
Protection modes (POE)		CM / DM (common mode / differential mode)
Transmission standard		IEEE 802.3bt
Lightning Protection Zones (LPZ)		0 - 3
Max. operating voltage (DATA)	U <sub>c</sub>	8 Vdc
Max. operating voltage (POE)	U <sub>c</sub>	60 Vdc
Max. frequency	f max.	500 MHz
Max. data rate		10 Gbps
Max. load current @25°C	I <sub>L</sub>	2 A
Max. POE power (4PPOE)		90 W
Nominal discharge current C1 (1.2/50us / 8/20us), 300 applications X-X (Line/Line)	I <sub>n</sub>	1kV / 500A
Nominal discharge current C1 (1.2/50us / 8/20us), 300 applications, X-C (Pair-Pair, POE)	I <sub>n</sub>	200 V / 100 A
Nominal discharge current C2 (1.2/50us / 8/20us), 10 applications X-C (Line/Earth)	I <sub>n</sub>	4 kV / 2 kA
Max. discharge current max. withstand @ 8/20 μs, X-C (Line/Earth)	I <sub>max</sub>	2 kA
Max. discharge current max. withstand @ 8/20 μs, 8X-C (1&+3&+6+4&+5+7&+8 to Earth)	I <sub>max</sub> Total	16 kA
Protection Level C3 (10/1000μs), 300 applications@10 A, Y-Y (Line/Line)	U <sub>p</sub>	≤ 20 V
Protection Level C3 (10/1000μs), 300 applications@10 A, Y-C (Line/Earth)	U <sub>p</sub>	< 70 V
Protection Level C3 (10/1000μs), 300 applications @ 10A, (Pair-Pair, POE)	U <sub>p</sub>	< 100 V
Impulse current D1 (10/350μs), 2 applications, X-C (Line/Earth)	I <sub>imp</sub>	500 A
Line resistance (± 10%)		~ 0 ohms
Capacitance @1MHz, X-C (Line/Earth)	C	< 5 pF
DATA SPD TYPE		UL497B LISTED
VOLTS	(V)	48
AC/DC/DC PV/RF		DC
WIRES		8W+Shield+Ground
LINE CURRENT MAX	(A)	1.2
POWER RATING	(W)	100
AMBIENT MIN	(C)	-40
AMBIENT MAX	(C)	+85
MODES		DC+DC-,DC+G,DC-G,SH-G
RESIDUAL VOLTAGE	(V)	70
MCOV	(V)	60/72/72
IMAX 8/20μs	(kA)	16
DATA SPEED	(Mbps)	10/100/1000/10000
Mechanical Characteristics		
Technology		GDT+TVS diode
Connection to Network		RJ45 shielded connectors Female input/output
Cable glands		Plastic/Rubber
Format		Plastic Enclosure with connectors input/output
Mounting		Wall / Plate
Operating temperature	T <sub>u</sub>	-40/+85°C
Ingress Protection rating		IP66 (NEMA 4/4X)
Failsafe mode		Transmission cut-off - Fault mode 2 (short-circuit)
Pinout		(1-2)(3-6)(4-5)(7-8)
TECHNOLOGY		SAD-GDT
NETWORK CONFIGURATION		Single POE Line
CONNECTION METHOD		Shielded RJ45
MOUNTING		FLANGE MOUNT/POLE MOUNT KIT
MATERIAL		Polycarbonate



# CITEL

## Outdoor Category 6 POE Surge Protective Device

### CWMJ8-POE-C6A

FLAMMABILITY RATING	UL94-V0
NEMA RATING (IP RATING)	6 (IP66)
DIMENSIONS	See diagram
<b>Standards</b>	
UL File Number	E184939
Certification	UL Listed
Environmental standards	EU RoHS
UL STANDARD	UL497B
UL CATEGORY	QVGQ
UL FILE NUMBER	E184939
STANDARDS	NOM-003-SCFI-2014, NOM-001-SCFI-1993
<b>Part number</b>	
<b>581544</b>	

