



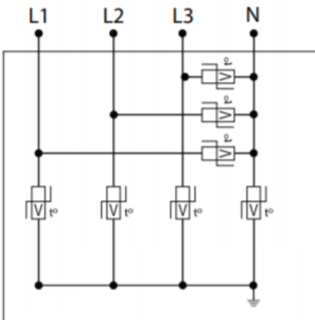
# CITEL

## UL TYPE 1/2 LISTED SPD - I<sub>max</sub> 105kA per phase - I<sub>n</sub> 20kA - NEMA 3R/4/12

### MS80-347Y



- ✦ Multi-TMOV Technology
- ✦ UL1449 Type 1/2 LISTED
- ✦ 105-220kA Surge Current Rating
- ✦ Visual fault indicator, audible alarm and remote contacts
- ✦ 10-Year warranty



Características eléctricas		
POWER SPD TYPE		UL1449 TYPE 1 LISTED
TENSION	(V)	347/600
AC/DC/DC PV/RF		AC
FASE	(PH)	3Y
AMPS	(A)	N/A
AMBIENT MIN	(C)	-35
AMBIENT MAX	(C)	+85
MODOS		L-L, L-N, L-G, N-G
VPR	(V)	3000/1800/1800/1800
MCOV	(V)	1100/550/550/550
IN	(kA)	20
IMAX	(kA)	105
Características mecánicas		
TECNOLOGIA		Multi-TMOV
CONFIGURACION DE RED		3PH, 4W+G, Wye
FORMA DE CONEXION		36" #10 AWG LEADS
MONTAJE		FLANGE MOUNT
MATERIAL		Steel
NEMA RATING (IP RATING)		NEMA 3R,4, 12 (IP65)
DESCONEXION SEGURA		Yes, no upstream over current protection required
REAL-TIME DIAGNOSTICS		% of protection present LED, audible alarm and remote contacts. Optional surge counter.
DIMENSIONS		See diagram
WEIGHT		6 lbs
Normas		
UL STANDARD		UL1449 5th Edition, UL1283
UL CATEGORY		VZCA, VZCA7, FOKY, FOKY7
UL FILE NUMBER		E326289
NORMAS		UL96A, ANSI C62.41/45, NOM-003-SCFI-2014, NOM-001-SCFI-1993, IEC61643-11
ENVIRONMENTAL STANDARDS		ROHS
Código		
890158		

