



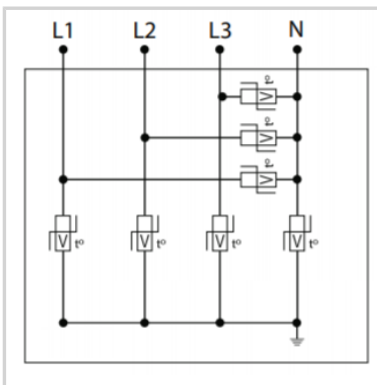
CITEL

UL TYPE 1/2 LISTED SPD - I_{max} 105kA per phase - In 20kA - NEMA 3R /4/12

MS80-120Y



- Multi-TMOV Technology
- UL1449 Type 1 LISTED
- BABA-Build America-Buy America compliant
- 105-220kA Surge Current Rating
- Visual fault indicator, audible alarm and remote contacts
- 10-Year warranty



Electrical Characteristics		
Max. discharge current <i>max. withstand @ 8/20 μs by pole</i>	I _{max}	105 kA
POWER SPD TYPE		UL1449 TYPE 1 LISTED
VOLTS	(V)	120/208
AC/DC/DC PV/RF		AC
PHASE	(PH)	3Y
AMPS	(A)	N/A
AMBIENT MIN	(C)	-40
AMBIENT MAX	(C)	+85
MODES		L-L, L-N, L-G, N-G
VPR	(V)	1000/700/700/700
MCOV	(V)	300/150/150/150
IN <i>15 impulses 8/20μs</i>	(kA)	20
IMAX <i>8/20μs</i>	(kA)	105
Mechanical Characteristics		
Connection to Network		#10 AWG 36" Leads
Mounting		Wall mounting by screws (not supplied)
Operating temperature	T _u	-40/+85°C
TECHNOLOGY		Multi-TMOV
NETWORK CONFIGURATION		3PH, 4W+G, Wye
CONNECTION METHOD		36" #10 AWG LEADS
MOUNTING		FLANGE MOUNT
MATERIAL		Steel
NEMA RATING (IP RATING)		NEMA 3R,4, 12 (IP65)
FAIL-SAFE BEHAVIOR		Yes, no upstream over current protection required
REAL-TIME DIAGNOSTICS		% of protection present LED, audible alarm and remote contacts. Optional surge counter.
DIMENSIONS		See diagram
WEIGHT		6 lbs
Standards		
Environmental standards		EU RoHS
UL STANDARD		UL1449 5th Edition, UL1283
UL CATEGORY		VZCA, VZCA7, FOKY, FOKY7
UL FILE NUMBER		E326289
STANDARDS		UL96A, ANSI C62.41/45, NOM-003-SCFI-2014, NOM-001-SCFI-1993, IEC61643-11
BABA		Build America-Buy America Compliant
Part number		
890155		

