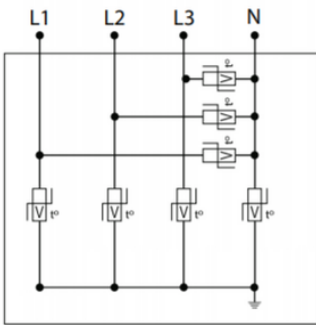


MS160-480DCT



- ↳ I_{max} 105-220kA per phase
- ↳ UL1449 Type 1 Listed SPD
- ↳ In 20kA
- ↳ SCCR 200kA
- ↳ Real-Time LED indicators, Audible Alarm, Remote Contacts
- ↳ Smart Diagnostic Indicating % protection present
- ↳ NEMA 4 (Other options NEMA 12, NEMA 4X Stainless Steel)
- ↳ UL1283 EMI Filter (Option available)
- ↳ Surge Counter (Option available)



Características eléctricas

POWER SPD TYPE		UL1449 TYPE 1 LISTED
TENSION	(V)	240/480
AC/DC/DC PV/RF		AC
FASE	(PH)	3H
AMPS	(A)	N/A
AMBIENT MIN	(C)	-35
AMBIENT MAX	(C)	+85
MODOS		L-L, L-N, L-G, N-G, H-L, H-N, H-G
VPR	(V)	1800/1000/1200/1000(3000/1000/1200)
MCOV	(V)	690/320/320/320(870/550/550)
IN	(kA)	20
IMAX	(kA)	192

Características mecánicas

TECNOLOGIA		Multi-TMOV
CONFIGURACION DE RED		3PH, 4W+G, Hi-Leg Delta
FORMA DE CONEXION		36" #10 AWG LEADS
MONTAJE		FLANGE MOUNT
MATERIAL		Steel
NEMA RATING (IP RATING)		IP65
DESCONEXION SEGURA		Yes, no upstream over current protection required
REAL-TIME DIAGNOSTICS		% of protection present LED, audible alarm and remote contacts. Optional surge counter.
DIMENSIONS		See diagram
WEIGHT		6 lbs

Normas

UL STANDARD		UL1449 5th Edition
UL CATEGORY		VZCA, VZCA7
UL FILE NUMBER		E326289
NORMAS		NOM-003-SCFI-2014, NOM-001-SCFI-1993
ENVIRONMENTAL STANDARDS		ROHS

Código

890178