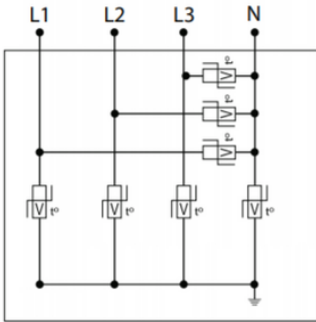


MS160-240DCT



- ↳ I_{max} 105-220kA per phase
- ↳ UL1449 Type 1 Listed SPD
- ↳ I_n 20kA
- ↳ SCCR 200kA
- ↳ Real-Time LED indicators, Audible Alarm, Remote Contacts
- ↳ Smart Diagnostic Indicating % protection present
- ↳ NEMA 4 (Other options NEMA 12, NEMA 4X Stainless Steel)
- ↳ UL1283 EMI Filter (Option available)
- ↳ Surge Counter (Option available)



Características eléctricas

| | | |
|----------------|------|-----------------------------------|
| POWER SPD TYPE | | UL1449 TYPE 1 LISTED |
| TENSION | (V) | 120/240 |
| AC/DC/DC PV/RF | | AC |
| FASE | (PH) | 3H |
| AMPS | (A) | N/A |
| AMBIENT MIN | (C) | -35 |
| AMBIENT MAX | (C) | +85 |
| MODOS | | L-L, L-N, L-G, N-G, H-L, H-N, H-G |
| VPR | (V) | 1000/700/700/700(3000/700/700) |
| MCOV | (V) | 300/150/150/150(470/320/320) |
| IN | (kA) | 20 |
| IMAX | (kA) | 192 |

Características mecánicas

| | | |
|-------------------------|--|---|
| TECNOLOGIA | | Multi-TMOV |
| CONFIGURACION DE RED | | 3PH, 4W+G, Hi-Leg Delta |
| FORMA DE CONEXION | | 36" #10 AWG LEADS |
| MONTAJE | | FLANGE MOUNT |
| MATERIAL | | Steel |
| NEMA RATING (IP RATING) | | IP65 |
| DESCONEXION SEGURA | | Yes, no upstream over current protection required |
| REAL-TIME DIAGNOSTICS | | % of protection present LED, audible alarm and remote contacts. Optional surge counter. |
| DIMENSIONS | | See diagram |
| WEIGHT | | 6 lbs |

Normas

| | | |
|-------------------------|--|--------------------------------------|
| UL STANDARD | | UL1449 5th Edition |
| UL CATEGORY | | VZCA, VZCA7 |
| UL FILE NUMBER | | E326289 |
| NORMAS | | NOM-003-SCFI-2014, NOM-001-SCFI-1993 |
| ENVIRONMENTAL STANDARDS | | ROHS |

Código

890169