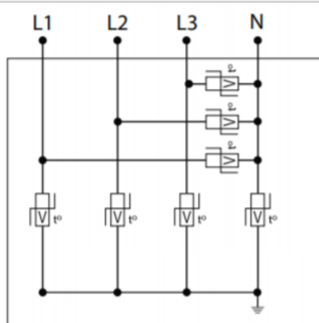




- ✦ Multi-TMOV Technology
- ✦ UL1449 Type 1 LISTED
- ✦ 105-220kA Surge Current Rating
- ✦ Visual fault indicator, audible alarm and remote contacts
- ✦ 10-Year warranty



Características eléctricas	
POWER SPD TYPE	UL1449 TYPE 1 LISTED
TENSION	(V) 120/240
AC/DC/DC PV/RF	AC
FASE	(PH) 3H
AMPS	(A) N/A
AMBIENT MIN	(C) -35
AMBIENT MAX	(C) +85
MODOS	L-L, L-N, L-G, N-G, H-L, H-N, H-G
VPR	(V) 1000/700/700/700(3000/700/700)
MCOV	(V) 300/150/150/150(470/320/320)
IN	(kA) 20
IMAX	(kA) 220
Características mecánicas	
TECNOLOGIA	Multi-TMOV
CONFIGURACION DE RED	3PH, 4W+G, Hi-Leg Delta
FORMA DE CONEXION	36" #10 AWG LEADS
MONTAJE	FLANGE MOUNT
MATERIAL	Steel
NEMA RATING (IP RATING)	IP65
DESCONEXION SEGURA	Yes, no upstream over current protection required
REAL-TIME DIAGNOSTICS	% of protection present LED, audible alarm and remote contacts. Optional surge counter.
DIMENSIONS	See diagram
WEIGHT	6 lbs
Normas	
Certificación	UL Listed
UL STANDARD	UL1449 5th Edition
UL CATEGORY	VZCA, VZCA7
UL FILE NUMBER	E326289
NORMAS	UL96A, ANSI C62.41/45, NOM-003-SCFI-2014, NOM-001-SCFI-1993, IEC61643-11
ENVIRONMENTAL STANDARDS	ROHS
Código	
890133	