

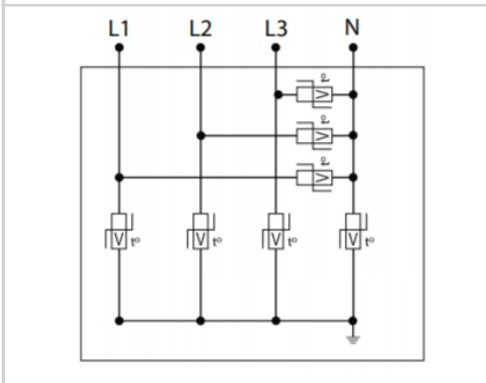
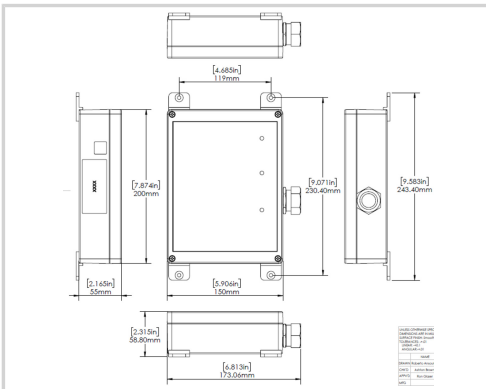


# CITEL



## MP100-277Y

- ▶ Multi-TMOV Technology
- ▶ UL1449 Type 1 LISTED
- ▶ 132kA I<sub>max</sub> Surge Current Rating
- ▶ Visual fault indicator
- ▶ 10-Year warranty



Electrical Characteristics	
POWER SPD TYPE	UL1449 TYPE 1 LISTED
VOLTS	(V) 277/480
AC/DC/DC PV/RF	AC
PHASE	(PH) 3Y
AMPS	(A) N/A
AMBIENT MIN	(C) -35
AMBIENT MAX	(C) 85
MODES	L-L, L-N, L-G, N-G
VPR	(V) 1800/1000/1200/1000
MCOV	(V) 640/320/320/320
IN	(kA) 20
15 impulses 8/20μs	
IMAX	(kA) 132
8/20μs	
Mechanical Characteristics	
TECHNOLOGY	Multi-TMOV
NETWORK CONFIGURATION	3PH, 4W+G, Wye
CONNECTION METHOD	3/8" #10 AWG LEADS
MOUNTING	FLANGE MOUNT
MATERIAL	Polycarbonate
NEMA RATING (IP RATING)	4X (IP67)
FAIL-SAFE BEHAVIOR	Yes, no upstream over current protection required
REAL-TIME DIAGNOSTICS	LED Visual Status Indicators
DIMENSIONS	See diagram
WEIGHT	6 lbs
Standards	
UL STANDARD	UL1449 5th Edition
UL CATEGORY	VZCA, VZCA7
UL FILE NUMBER	E326289
STANDARDS	NOM-003-SCFI-2014
ENVIRONMENTAL STANDARDS	ROHS
Part number	
<b>891805</b>	

