

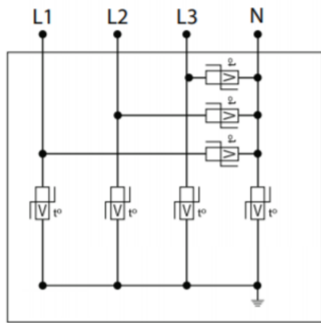
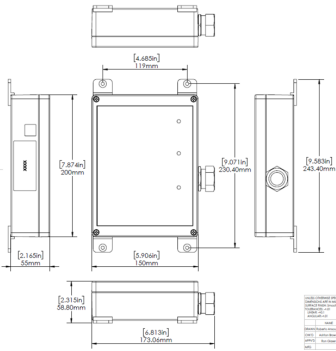


CITEL



MP100-240DCT

- ✦ Multi-TMOV Technology
- ✦ UL1449 Type 1 LISTED
- ✦ 132kA I_{max} Surge Current Rating
- ✦ Visual fault indicator (optional remote contacts)
- ✦ 10-Year warranty



Características eléctricas

POWER SPD TYPE		UL1449 TYPE 1 LISTED
TENSION	(V)	120/240
AC/DC/DC PV/RF		AC
FASE	(PH)	3H
AMPS	(A)	N/A
AMBIENT MIN	(C)	-35
AMBIENT MAX	(C)	85
MODOS		L-L, L-N, L-G, N-G, H-L, H-N, H-G
VPR	(V)	1000/700/700/700(3000/700/700)
MCOV	(V)	300/150/150/150(470/320/320)
IN	(kA)	20
IMAX	(kA)	132

Características mecánicas

TECNOLOGIA		Multi-TMOV
CONFIGURACION DE RED		3PH, 4W+G, Hi-Leg Delta
FORMA DE CONEXION		36" #10 AWG LEADS
MONTAJE		FLANGE MOUNT
MATERIAL		Polycarbonate
NEMA RATING (IP RATING)		4X (IP67)
DESCONEXION SEGURA		Yes, no upstream over current protection required
REAL-TIME DIAGNOSTICS		LED. Optional remote contacts.
DIMENSIONS		See diagram
WEIGHT		6 lbs

Normas

UL STANDARD		UL1449 5th Edition
UL CATEGORY		VZCA, VZCA7
UL FILE NUMBER		E326289
NORMAS		NOM-003-SCFI-2014
ENVIRONMENTAL STANDARDS		ROHS

Código

891819

