



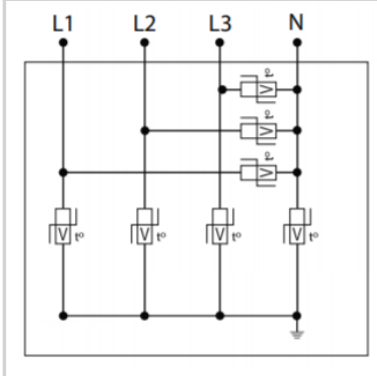
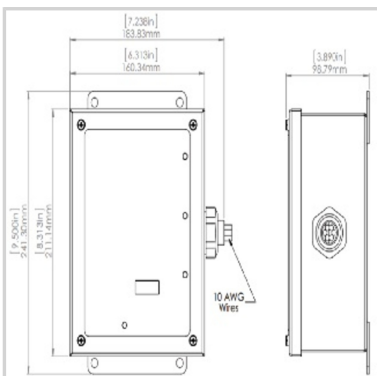
CITEL

UL TYPE 2 LISTED SPD - I_{max} 105kA per phase - I_n 20kA - NEMA 3R/4 /12

MS80F-120Y



- Multi-TMOV Technology
- UL1449 Type 2 LISTED
- UL1283 LISTED EMI/RFI Filter
- BABA-Build America-Buy America compliant
- 105kA Surge Current Rating
- Connection Type-Parallel
- Operating Frequency-47Hz-63Hz
- Response time- <50 ns
- Visual fault indicator
- 10-Year warranty



Características eléctricas		
POWER SPD TYPE		UL1449 TYPE 2 LISTED
TENSION	(V)	120/208
AC/DC/DC PV/RF		AC
FASE	(PH)	3Y
AMPS	(A)	N/A
AMBIENT MIN	(C)	-35
AMBIENT MAX	(C)	+85
MODOS		L-L, L-N, L-G, N-G
VPR	(V)	1000/700/700/700
MCOV	(V)	300/150/150/150
IN	(kA)	20
IMAX	(kA)	105
Iimp	(kA)	4
Características mecánicas		
TECNOLOGIA		Multi-TMOV
CONFIGURACION DE RED		3PH, 4W+G, Wye
FORMA DE CONEXION		36" #10 AWG LEADS
MONTAJE		FLANGE MOUNT
MATERIAL		Steel
NEMA RATING (IP RATING)		IP65
DESCONEXION SEGURA		Yes, no upstream over current protection required
REAL-TIME DIAGNOSTICS		% of protection present LED, audible alarm and remote contacts. Optional surge counter.
DIMENSIONS		See diagram
WEIGHT		6 lbs
Normas		
Certificación		UL Listed
Normas ambientales		EU RoHS
UL STANDARD		UL1449 5th Edition, UL1283
UL CATEGORY		VZCA, VZCA7, FOKY, FOKY7
UL FILE NUMBER		E326289
NORMAS		UL96A, ANSI C62.41/45, NOM-003-SCFI-2014, NOM-001-SCFI-1993
Código		
890188		

