

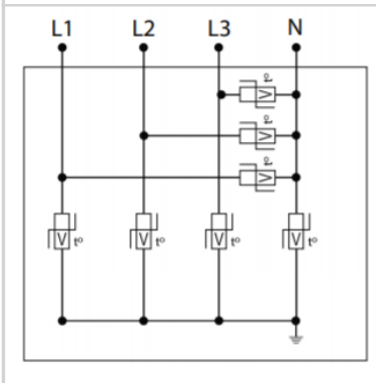
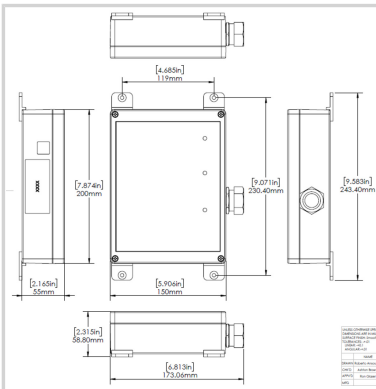


CITEL



MP200-240D

- ▶ Multi-TMOV Technology
- ▶ UL1449 Type 1 LISTED
- ▶ 220kA Surge Current Rating (Imax/phase)
- ▶ Visual fault indicator
- ▶ 10-Year warranty



Electrical Characteristics

POWER SPD TYPE		UL1449 TYPE 1 LISTED
VOLTS	(V)	240
AC/DC/DC PV/RF		AC
PHASE	(PH)	3D
AMPS	(A)	N/A
AMBIENT MIN	(C)	-40
AMBIENT MAX	(C)	85
MODES		L-L, L-G
VPR	(V)	1800/-/1200/-
MCOV	(V)	640/-/320/-
IN	(kA)	20
15 impulses 8/20 μ s		
IMAX	(kA)	220
8/20 μ s		

Mechanical Characteristics

TECHNOLOGY		Multi-TMOV
NETWORK CONFIGURATION		3PH, 3W+G, Delta
CONNECTION METHOD		36" #10 AWG LEADS
MOUNTING		FLANGE MOUNT
MATERIAL		Polycarbonate
NEMA RATING (IP RATING)		4X (IP67)
FAIL-SAFE BEHAVIOR		Yes, no upstream over current protection required
REAL-TIME DIAGNOSTICS		LED Visual Status Indicators
DIMENSIONS		See diagram
WEIGHT		6 lbs

Standards

Environmental standards		EU RoHS
UL STANDARD		UL1449 5th Edition
UL CATEGORY		VZCA, VZCA7
UL FILE NUMBER		E326289
STANDARDS		NOM-003-SCFI-2014

Part number

891811

