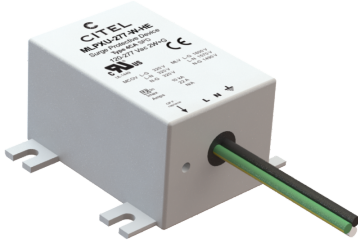




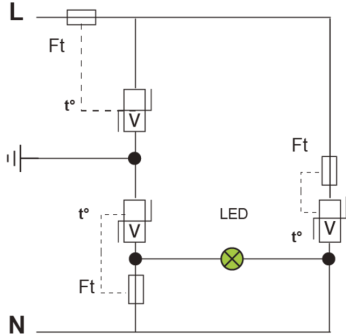
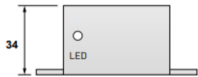
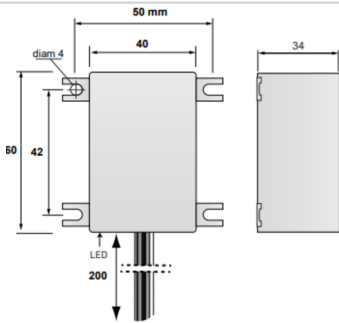
CITEL

UL TYPE 4CA - I_{max} 22kA - I_n 10kA

MLPXU-277-W-HE



- ✦ MOV Technology
- ✦ for 120-277Vac LED applications
- ✦ I_{max} 20kA, I_n 10kA
- ✦ LED indicator
- ✦ IP67
- ✦ ANSI/IEEE C136.2 Extreme
- ✦ ANSI/IEEE C62.41 Category C
- ✦ UL Type 4CA
- ✦ 10-year Warranty



Características eléctricas

| | | |
|-------------------------------|------|-------------------------|
| POWER SPD TYPE | | UL1449 5th Ed. TYPE 4CA |
| TENSION | (V) | 277 |
| AC/DC/DC PV/RF | | AC |
| FASE | (PH) | 1 |
| AMPS | (A) | N/A |
| AMBIENT MIN | (C) | -35 |
| AMBIENT MAX | (C) | +75 |
| MODOS | | L-L, L-G, L-N, N-G |
| MLV | (V) | 1570/1600/1490 |
| MCOV | (V) | 320/320/320 |
| IN | (kA) | 10 |
| I _{cc} cortocircuito | (kA) | n/a |
| IMAX | (kA) | 22 |

Características mecánicas

| | | |
|-------------------------|--|----------------------------------|
| TECNOLOGIA | | Thermal-MOV |
| CONFIGURACION DE RED | | 2 pole, 2W+G, Single/Spilt Phase |
| FORMA DE CONEXION | | 150mm/5.97" #16 AWG Lead Wires |
| MONTAJE | | FLANGE MOUNT |
| MATERIAL | | Thermoplastic UL94-V0 |
| NEMA RATING (IP RATING) | | NEMA 6P (IP67) |
| DESCONEXION SEGURA | | Disconnection via fuse-link |
| REAL-TIME DIAGNOSTICS | | LED Indicator |
| DIMENSIONS | | See diagram |
| WEIGHT | | 0.30 lbs |

Normas

| | | |
|-------------------------|--|--|
| UL STANDARD | | UL1449 5th Edition |
| UL CATEGORY | | VZCA2, VZCA8 |
| UL FILE NUMBER | | E326289 |
| NORMAS | | IEC 61643-11, NOM-003-SCFI-2014, NOM-001-SCFI-1993 |
| ANSI/IEEE C62.41 | | Category C 20kV/10kA |
| ANSI/IEEE C136.2 | | Extreme Category 20kV/10kA |
| ENVIRONMENTAL STANDARDS | | ROHS |

Código

7113695

