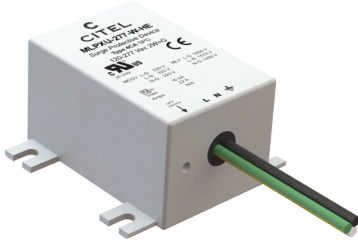




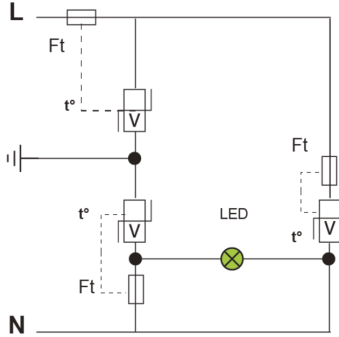
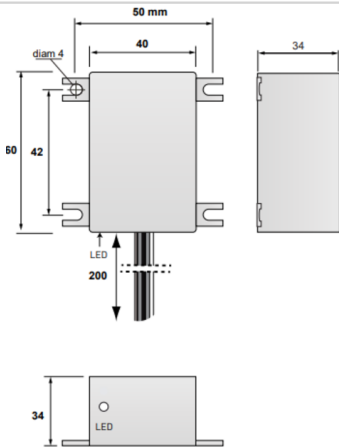
CITEL

UL TYPE 4CA - I_{max} 22kA - I_n 10kA

MLPXU-277-W-HE



- ✦ MOV Technology
- ✦ for 120-277Vac LED applications
- ✦ I_{max} 20kA, I_n 10kA
- ✦ LED indicator
- ✦ IP67
- ✦ ANSI/IEEE C136.2 Extreme
- ✦ ANSI/IEEE C62.41 Category C
- ✦ UL Type 4CA
- ✦ 10-year Warranty



Electrical Characteristics

POWER SPD TYPE		UL1449 5th Ed. TYPE 4CA
VOLTS	(V)	277
AC/DC/DC PV/RF		AC
PHASE	(PH)	1
AMPS	(A)	N/A
AMBIENT MIN	(C)	-35
AMBIENT MAX	(C)	+75
MODES		L-L, L-G, L-N, N-G
MLV	(V)	1570/1600/1490
MCOV	(V)	320/320/320
IN	(kA)	10
15 impulses 8/20µs		
SCCR	(kA)	n/a
IMAX	(kA)	22
8/20µs		

Mechanical Characteristics

TECHNOLOGY		Thermal-MOV
NETWORK CONFIGURATION		2 pole, 2W+G, Single/Spilt Phase
CONNECTION METHOD		150mm/5.97" #16 AWG Lead Wires
MOUNTING		FLANGE MOUNT
MATERIAL		Thermoplastic UL94-V0
NEMA RATING (IP RATING)		NEMA 6P (IP67)
FAIL-SAFE BEHAVIOR		Disconnection via fuse-link
REAL-TIME DIAGNOSTICS		LED Indicator
DIMENSIONS		See diagram
WEIGHT		0.30 lbs

Standards

UL STANDARD		UL1449 5th Edition
UL CATEGORY		VZCA2, VZCA8
UL FILE NUMBER		E326289
STANDARDS		IEC 61643-11, NOM-003-SCFI-2014, NOM-001-SCFI-1993
ANSI/IEEE C62.41		Category C 20kV/10kA
ANSI/IEEE C136.2		Extreme Category 20kV/10kA
ENVIRONMENTAL STANDARDS		ROHS

Part number

7113695

