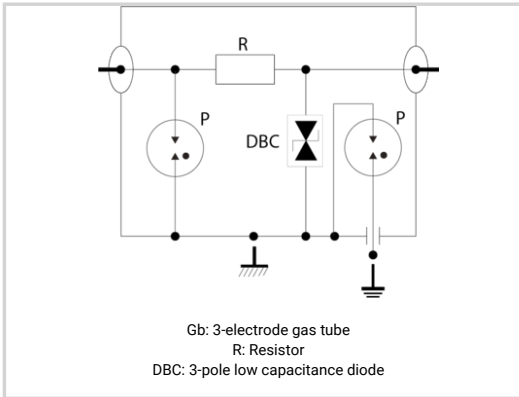




- Coaxial surge protector
- I_{max} : 20 kA
- Up to 1 GHz
- Connectors : BNC, F, TNC, TV(SE) EJ167



Electrical Characteristics		
Network		coaxial DC-100 MHz
Max. DC operating voltage	U _c	10 Vdc
Max. frequency	f max.	DC-100 MHz
Insertion loss		≤ 0.5 dB
Return loss		≥ 20 dB
Impedance		50/75 ohms
VSWR		< 1.3:1
Max. load current @25°C	IL	0.5 A
Protection mode(s)		Common mode
Impulse current 2 x 10/350µs Test - D1 Category	I _{limp}	2.5 kA
Nominal discharge current C2 Category	I _n	5 kA
Max Power		4 W
DC Pass		No
VSWR Maximum	:1	< 1.5
Max Discharge Current I _{max} (8/20µs x 1)	kA	20.0000
Max Total Discharge Current I _{max} (8/20µs x 1)	kA	20.0000
Max Discharge Current I _{max} (8/20µs x 1)	kA	20.0000
Max Discharge Current I _{max} (8/20µs x 1)	kA	20.0000
Max Discharge Current I _{max} (8/20µs x 1)	kA	20.0000
Max Discharge Current I _{max} (8/20µs x 1)	kA	20.0000
Installation		
Operating Temperature _{Min}	°C	-40.0000
Operating Temperature _{Max}	°C	85.0000
Operating Temperature _{Min}	°F	-40.0000
Operating Temperature _{Max}	°F	85.0000
Operating Relative Humidity _{Max}	%RH	95
Operating Altitude _{Min}	Ft	2000.0000
Operating Altitude _{Max}	Ft	6500.0000
Housing/Enclosure material		Metal + Plastic
Mounting		Surface mount
IP Environmental rating/IP		IP20
Installation Location		outdoor
Accessories		90° Stainless steel bracket
Product Dimension _L	mm	61.0000
Product Dimension _H	mm	24.0000
Product Dimension _W	mm	48.0000
Product Dimension _L	In	2.4000
Product Dimension _H	In	0.9400
Product Dimension _W	In	1.8800
Miscellaneous		
Individual Pack		No
Storage Temperature _{Min}	°C	-40.0000
Storage Temperature _{Max}	°C	85.0000
Storage Temperature _{Min}	°F	-40.0000
Storage Temperature _{Max}	°F	85.0000
Installation		
Cable type		Coax
Mechanical Characteristics		
Technology		GDT+TVS diode
Connection to Network		Connector BNC Male/Female
Format		Insulating box
Failsafe mode		Short-circuit - transmission cut-off - fault mode 2
Part number		

632611
