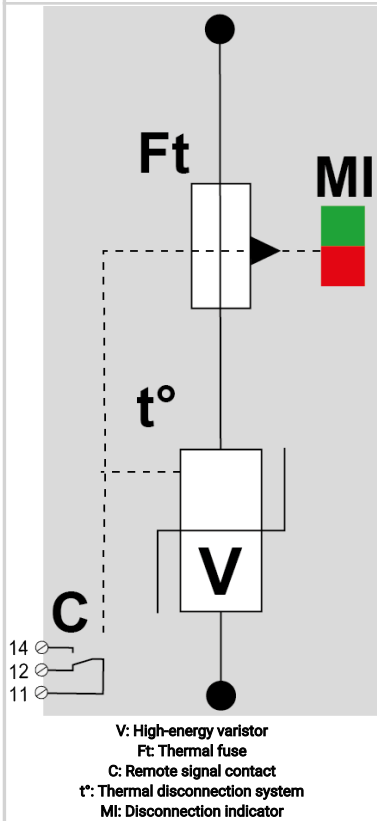
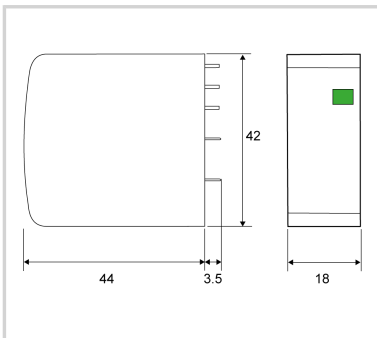
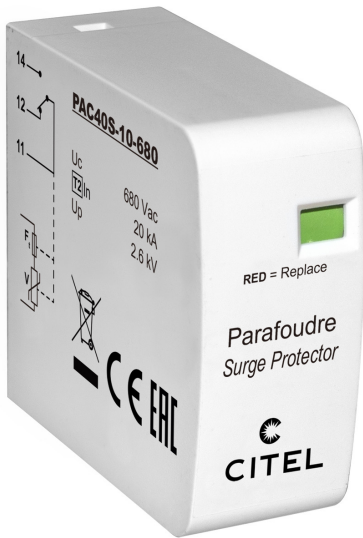




CITEL

PAC40S-10-680



Electrical Characteristics		
Max. AC operating voltage	Uc	680 Vac
Max. discharge current <i>max. withstand @ 8/20 μs by pole</i>	Imax	40 kA
Maximum Discharge Current <i>Imax (8/20)</i>	kA	40.0000
Mechanical Characteristics		
Connection to Network		Through soldering pins
Mounting		On Printed Circuit Board
Operating temperature	Tu	-40/+85°C
Protection rating		IP20
Part number		
8712204		

