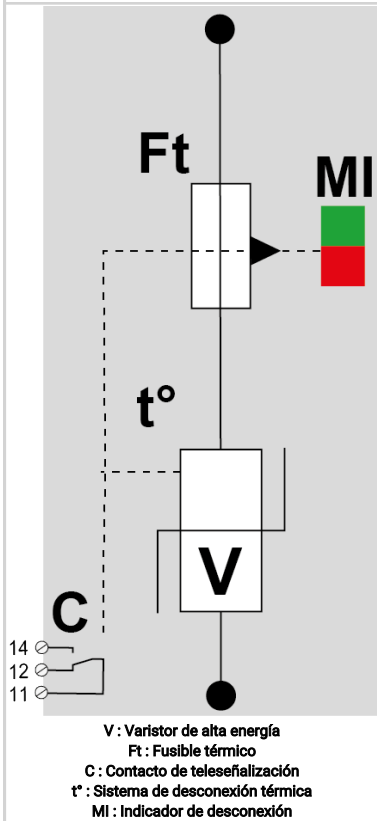
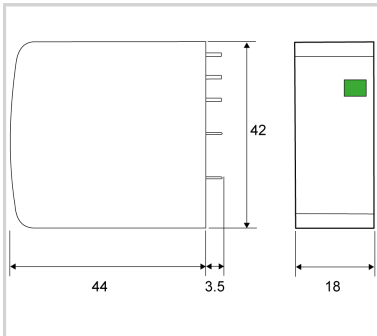
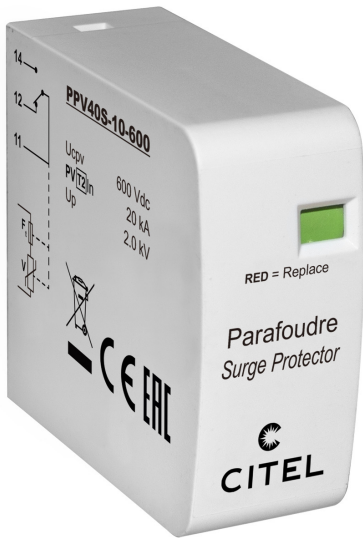




CITEL

PPV40S-10-600



| Características eléctricas | | |
|--|------------------|--------------------------------|
| Corriente de descarga máxima | I _{max} | 40 kA |
| Capacidad máx. En onda 8/20µs por polo | | |
| Modo(s) de conexión | | +/-/PE |
| Modo(s) de protección | | Modo Común o Mode Diferenciado |
| Nivel de protección +/-/PE @ I _n (8/20µs) | U _p | 2.5 kV |
| Maximum Discharge Current | kA | 40.0000 |
| Maximum Discharge Current | kA | 40.0000 |
| Maximum Discharge Current | kA | 40.0000 |
| POWER SPD TYPE | | UL1449 TYPE 4CA (Pending) |
| TENSION | (V) | 600 |
| AC/DC/DC PV/RF | | DC PV |
| FASE | (PH) | |
| AMPS | (A) | N/A |
| AMBIENT MIN | (C) | -40 |
| AMBIENT MAX | (C) | +85 |
| MODOS | | DC+G or DC-G |
| MCOV | (V) | 670/670/670 |
| IN | (kA) | 20 |
| I _{cc cortocircuito} | (kA) | 100 |
| Opción | | |
| Remote status dry contact electrical rating | V | 250.0000 |
| Remote status dry contact electrical rating | A | 0.5000 |
| RFI Filter | | no |
| Instalación | | |
| Wiring type | | Screw |
| Solid wire cross section | mm ² | 4.0000 |
| Solid Wire cross section | mm ² | 25.0000 |
| Stranded Wire cross section | mm ² | 4.0000 |
| Stranded wire cross section | mm ² | 25.0000 |
| Wire gauge | AWG | 12.0000 |
| Wire gauge | AWG | 4.0000 |
| Torque | Nm | 2.0 - 2.5 |
| Torque | in-lbs | 17.8 - 22.1 |
| Strip Length | mm | 12.5000 |
| Strip Length | in | 0.5000 |
| Operating Temperature | °C | -40.0000 |
| Operating Temperature | °C | 85.0000 |
| Operating Temperature | °F | -40.0000 |
| Operating Temperature | °F | 85.0000 |
| Operating Relative Humidity | %RH | 95 |
| Operating Altitude | Ft | 2000.0000 |
| Operating Altitude | Ft | 6500.0000 |
| Housing/Enclosure material | | Thermoplastic |
| Flammability rating | | V0 |
| Mounting | | Din Rail |
| IP Environmental rating | | IP20 |
| NEMA Environmental rating | | NEMA 1 |
| Installation Location | | Indoor |
| Spare part | | Module |



CITEL

PPV40S-10-600

| | | |
|----------------------------------|-----|--|
| Product Dimension | mm | 99.0000 |
| Product Dimension | mm | 67.0000 |
| Product Dimension | mm | 36.0000 |
| Product Dimension | In | 3.8900 |
| Product Dimension | In | 2.6400 |
| Product Dimension | In | 1.4200 |
| Miscelánea | | |
| Individual Pack | | Yes |
| Storage Temperature | °C | -40.0000 |
| Storage Temperature | °C | 85.0000 |
| Storage Temperature | °F | -40.0000 |
| Storage Temperature | °F | 85.0000 |
| Storage Relative Humidity | %RH | 95.0000 |
| Características mecánicas | | |
| Tecnología | | MOV |
| Conexión a la red | | A través de pasadores de soldadura |
| Formato | | Caja modular desenchufable |
| Montaje | | En la placa de circuito impreso |
| Temperatura de operación | Tu | -40/+85°C |
| Clase de protección | | IP20 |
| Modo de fallo | | Desconexión de la protección de la línea FV |
| TECNOLOGIA | | MOV |
| CONFIGURACION DE RED | | 3 poles, 2W+G |
| FORMA DE CONEXION | | SPD-Screw Terminal (8-12AWG), Terminal blocks 6AWG |
| MONTAJE | | Wall mount |
| MATERIAL | | Thermoplastic UL94-V0 |
| NEMA RATING (IP RATING) | | NEMA 2 (IP20) |
| DESCONEXION SEGURA | | Disconnection via fuse-link |
| REAL-TIME DIAGNOSTICS | | Visual indicator and remote contacts |
| DIMENSIONS | | See diagram |
| Normas | | |
| UL STANDARD | | UL1449 5th Edition (Pending) |
| UL FILE NUMBER | | E326289 |
| Código | | |
| 8722203 | | |

