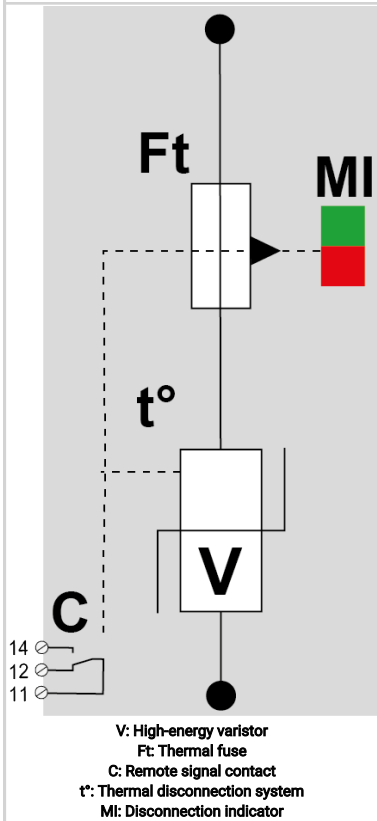
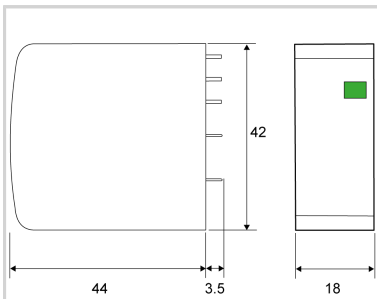
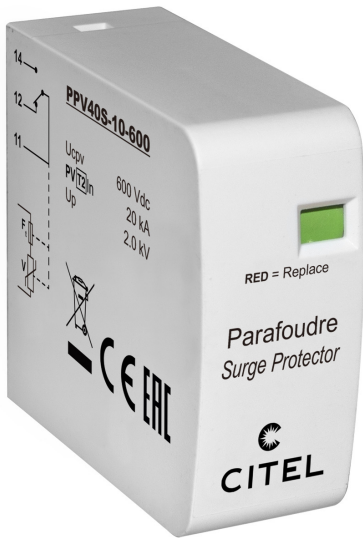




CITEL

PPV40S-10-600



Electrical Characteristics

Max. discharge current <i>max. withstand @ 8/20 μs by pole</i>	I _{max}	40 kA
Connection mode(s)		+/-/PE
Protection mode(s)		Common/Differential mode
Protection level +/-/PE <i>@ I_n (8/20μs)</i>	U _p	2.5 kV
Maximum Discharge Current <i>I_{max} (8/20)</i>	kA	40.0000
Maximum Discharge Current <i>I_{max} (8/20)</i>	kA	40.0000
Maximum Discharge Current <i>I_{max} (8/20)</i>	kA	40.0000
POWER SPD TYPE		UL1449 TYPE 4CA (Pending)
VOLTS	(V)	600
AC/DC/DC PV/RF		DC PV
PHASE	(PH)	
AMPS	(A)	N/A
AMBIENT MIN	(C)	-35
AMBIENT MAX	(C)	+85
MODES		DC+G or DC-G
MCOV	(V)	670/670/670
IN <i>15 impulses 8/20μs</i>	(kA)	20
SCCR	(kA)	100

Option

Remote status dry contact electrical rating <i>Max Voltage</i>	V	250.0000
Remote status dry contact electrical rating <i>Max Current</i>	A	0.5000
RFI Filter		no

Installation

Wiring type		Screw
Solid wire cross section <i>Min</i>	mm ²	4.0000
Solid Wire cross section <i>Max</i>	mm ²	25.0000
Stranded Wire cross section <i>Min</i>	mm ²	4.0000
Stranded wire cross section <i>Max</i>	mm ²	25.0000
Wire gauge <i>Min</i>	AWG	12.0000
Wire gauge <i>Max</i>	AWG	4.0000
Torque	Nm	2.0 - 2.5
Torque	in-lbs	17.8 - 22.1
Strip Length	mm	12.5000
Strip Length	in	0.5000
Operating Temperature <i>Min</i>	°C	-40.0000
Operating Temperature <i>Max</i>	°C	85.0000
Operating Temperature <i>Min</i>	°F	-40.0000
Operating Temperature <i>Max</i>	°F	85.0000
Operating Relative Humidity <i>Max</i>	%RH	95
Operating Altitude <i>Min</i>	Ft	2000.0000
Operating Altitude <i>Max</i>	Ft	6500.0000
Housing/Enclosure material		Thermoplastic
Flammability rating <i>UL 94</i>		V0
Mounting		Din Rail
IP Environmental rating <i>IP</i>		IP20
NEMA Environmental rating <i>NEMA</i>		NEMA 1



CITEL

PPV40S-10-600

Installation Location		Indoor
Spare part		Module
Product DimensionL	mm	99.0000
Product DimensionH	mm	67.0000
Product DimensionW	mm	36.0000
Product DimensionL	In	3.8900
Product DimensionH	In	2.6400
Product DimensionW	In	1.4200
Miscellaneous		
Individual Pack		Yes
Storage TemperatureMin	°C	-40.0000
Storage TemperatureMax	°C	85.0000
Storage TemperatureMin	°F	-40.0000
Storage TemperatureMax	°F	85.0000
Storage Relative HumidityMax	%RH	95.0000
Mechanical Characteristics		
Technology		MOV
Connection to Network		Through soldering pins
Format		Plug-in modular box
Mounting		On Printed Circuit Board
Operating temperature	Tu	-40/+85°C
Protection rating		IP20
Failsafe mode		Disconnection SPD of the PV line
TECHNOLOGY		MOV
NETWORK CONFIGURATION		3 poles, 2W+G
CONNECTION METHOD		SPD-Screw Terminal (8-12AWG), Terminal blocks 6AWG
MOUNTING		Wall mount
MATERIAL		Thermoplastic UL94-V0
NEMA RATING (IP RATING)		NEMA 2 (IP20)
FAIL-SAFE BEHAVIOR		Disconnection via fuse-link
REAL-TIME DIAGNOSTICS		Visual indicator and remote contacts
DIMENSIONS		See diagram
Standards		
UL STANDARD		UL1449 5th Edition (Pending)
UL FILE NUMBER		E326289
Part number		
8722203		

