

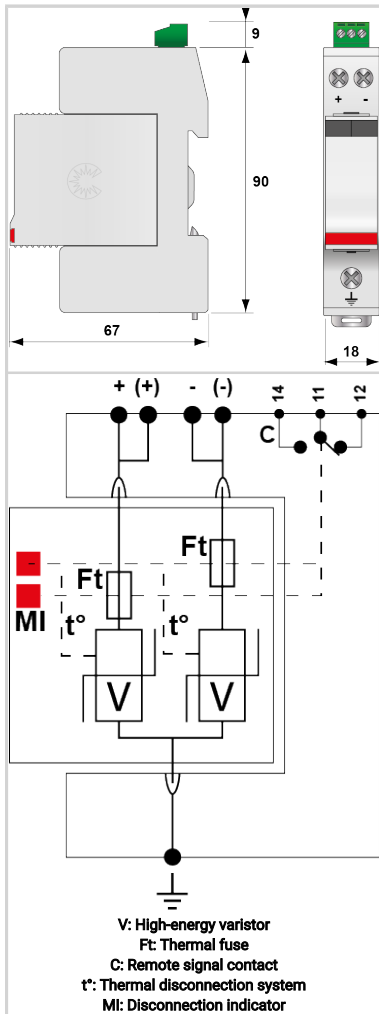


# CITEL



## DS220S-24DC

- DC power surge protector
- 24Vdc
- I<sub>max</sub>:20kA
- Pluggable module
- Remote signaling
- Very low Up protection level



Electrical Characteristics		
Network		DC or PV network 24Vdc
Max. DC operating voltage	Uc	38 Vdc
Max. load current @25°C	IL	50 A
Max. discharge current max. withstand @ 8/20 μs by pole	I <sub>max</sub>	20 kA
Total Maximum discharge current max. total withstand @ 8/20 μs	I <sub>max</sub> Total	40 kA
Connection mode(s)		+/-/PE
Protection mode(s)		Common mode
Protection level +/-PE (-/PE) @ In (8/20μs)	Up	250 V
POWER SPD TYPE		UL1449 5th Ed. TYPE 4CA
VOLTS	(V)	24
AC/DC/DC PV/RF		DC
PHASE	(PH)	
AMPS	(A)	N/A
AMBIENT MIN	(C)	-40
AMBIENT MAX	(C)	+85
MODES		DC+DC-,DC+G,DC-G
MLV DC	(V)	580/560/490
MCOV	(V)	38/38/38
IN 15 impulses 8/20μs	(kA)	10
SCCR	(kA)	n/a
IMAX 8/20μs	(kA)	20
Mechanical Characteristics		
Technology		MOV
Connection to Network		By screw terminals: 1.5-10mm <sup>2</sup> (actives wires) and 2.5-25mm <sup>2</sup> (ground)
Format		Plug-in modular box
Mounting		Symmetrical rail 35 mm (EN 60715)
Operating temperature	Tu	-40/+85°C
Protection rating		IP20
Failsafe mode		Disconnection from DC network
TECHNOLOGY		MOV
NETWORK CONFIGURATION		2W+G
CONNECTION METHOD		SPD-Screw Terminal (8-12AWG), Terminal blocks 6AWG
MOUNTING		DIN RAIL
MATERIAL		Thermoplastic UL94-V0
NEMA RATING (IP RATING)		NEMA 2 (IP20)
FAIL-SAFE BEHAVIOR		Disconnection via fuse-link
REAL-TIME DIAGNOSTICS		Visual indicator and remote contacts
DIMENSIONS		See diagram



# CITEL

## DS220S-24DC

WEIGHT	0.30 lbs
SPARE PART	DSM220-24DC
<b>Standards</b>	
Certification	cRUus
Environmental standards	EU RoHS
UL STANDARD	UL1449 5th Edition
UL CATEGORY	VZCA2, VZCA8
UL FILE NUMBER	E326289
STANDARDS	IEC 61643-11, NOM-003-SCFI-2014, NOM-001-SCFI-1993
<b>Part number</b>	
<b>390511</b>	

