



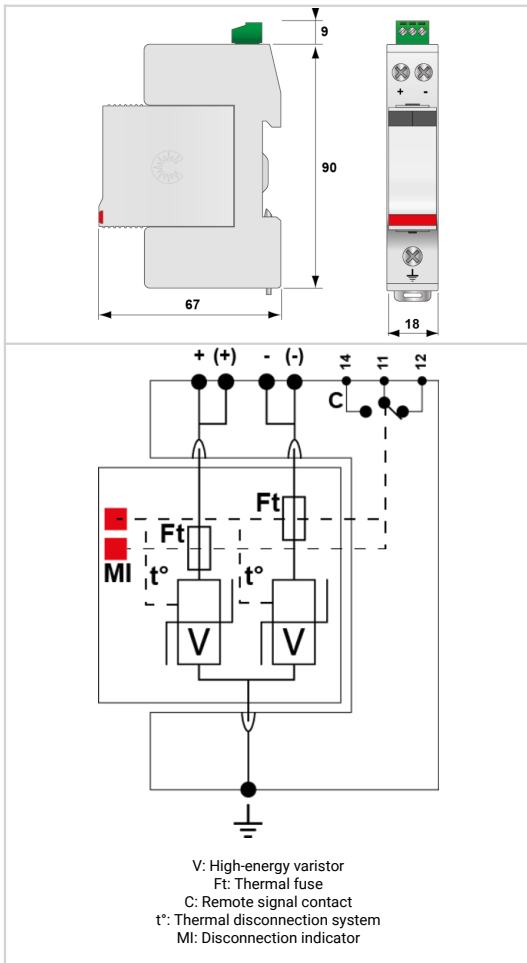
CITEL

DC Power SPD- I_{max} 40kA - I_n 20kA - Modular

DS240S-75DC



- ✦ MOV Technology
- ✦ UL1449 Type 4CA
- ✦ 40kA Surge Current Rating per module
- ✦ Visual fault indicator and remote contacts
- ✦ 10-Year warranty



Electrical Characteristics		
Network		DC or PV network 75Vdc
Max. DC operating voltage	U _c	100 Vdc
Max. load current @25°C	I _L	50 A
Total Maximum discharge current max. total withstand @ 8/20 μs	I _{max} Total	80 kA
Protection mode(s)		Common mode
Protection level +/PE (-/PE) @ I _n (8/20μs)	U _p	390 V
POWER SPD TYPE		UL1449 5th Ed. TYPE 4CA
VOLTS	(V)	75
AC/DC/DC PV/RF		DC
PHASE	(PH)	-
AMPS	(A)	N/A
AMBIENT MIN	(C)	-40
AMBIENT MAX	(C)	+85
MODES		DC+G or DC-G
MLV	(V)	1520/1370/1360
MCOV	(V)	100/100/100
I _N	(kA)	20
15 impulses 8/20μs		
SCCR	(kA)	n/a
I _{MAX}	(kA)	40
8/20μs		
Mechanical Characteristics		
Technology		MOV
Connection to Network		By screw terminals: 1.5-10mm ² (actives wires) and 2.5-25mm ² (ground)
Format		Plug-in modular box
Failsafe mode		Disconnection from DC network
TECHNOLOGY		MOV
NETWORK CONFIGURATION		2W+G
CONNECTION METHOD		SPD-Screw Terminal (8-12AWG), Terminal blocks 6AWG
MOUNTING		Wall mount
MATERIAL		Thermoplastic UL94-V0
NEMA RATING (IP RATING)		NEMA 2 (IP20)
FAIL-SAFE BEHAVIOR		Disconnection via fuse-link
REAL-TIME DIAGNOSTICS		Visual indicator and remote contacts
DIMENSIONS		See diagram
WEIGHT		0.30 lbs
Standards		
Certification		UL
UL STANDARD		UL1449 5th Edition
UL CATEGORY		VZCA2, VZCA8
UL FILE NUMBER		E326289
STANDARDS		IEC 61643-11, NOM-003-SCFI-2014, NOM-001-SCFI-1993
ENVIRONMENTAL STANDARDS		ROHS
Part number		
310611		

