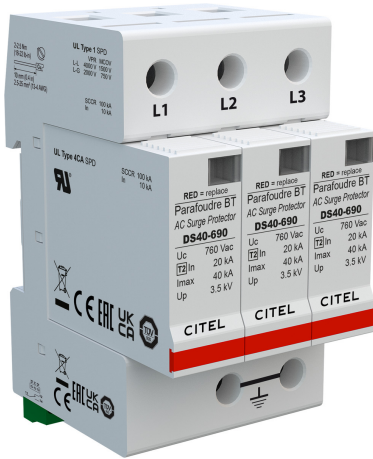




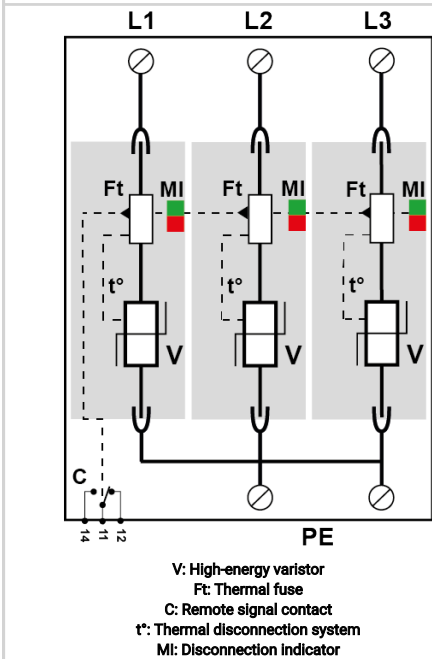
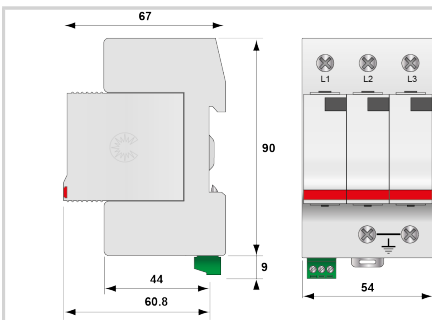
CITEL

UL LISTED TYPE 1 SPD - I_{max} 40kA - I_n 20kA - Module

DS43S-690



- ▶ Multi-MOV Technology
- ▶ UL1449 Type 1 LISTED
- ▶ 40kA Surge Current Rating per module
- ▶ Visual fault indicator and remote contacts
- ▶ 10-Year warranty



Electrical Characteristics

Network		400/690 Vac 3-phase
Total Maximum discharge current <i>max. total withstand @ 8/20 μs</i>	I _{max} Total	120 kA
Protection mode(s)		Common mode
POWER SPD TYPE		UL1449 TYPE 1 LISTED
AC/DC/DC PV/RF		AC
PHASE	(PH)	3Y
AMPS	(A)	N/A
AMBIENT MIN	(C)	-40
AMBIENT MAX	(C)	+85
MODES		L-L, L-G
VPR	(V)	4000/2000
MCOV	(V)	1500/750
IN <i>15 impulses 8/20μs</i>	(kA)	20
SCCR	(kA)	n/a
IMAX <i>8/20μs</i>	(kA)	40
limp <i>10/350μs</i>	(kA)	4

Option

Remote status dry contact electrical rating	Max Voltage	V	250.0000
Remote status dry contact electrical rating	Max Current	A	0.5000
RFI Filter			no

Installation

Wiring type		Screw
Solid wire cross section	Min	mm ² 2.5000
Solid Wire cross section	Max	mm ² 35.0000
Stranded Wire cross section	Min	mm ² 2.5000
Stranded wire cross section	Max	mm ² 25.0000
Wire gauge	Min	AWG 13.0000
Wire gauge	Max	AWG 2.0000
Torque		Nm 2.0 - 2.5
Torque		in-lbs 17.8 - 22.1
Strip Length		mm 13.0000
Strip Length		in 0.5000
Operating Temperature	Min	°C -40.0000
Operating Temperature	Max	°C 85.0000
Operating Temperature	Min	°F -40.0000
Operating Temperature	Max	°F 85.0000
Operating Relative Humidity	Max	%RH 95
Operating Altitude	Min	Ft 2000.0000
Operating Altitude	Max	Ft 6500.0000
Housing/Enclosure material		Thermoplastic
Flammability rating	UL 94	V0
Mounting		Din Rail
IP Environmental rating	IP	IP20
NEMA Environmental rating	NEMA	NEMA 2
Installation Location		Indoor
Spare part		Module
Product Dimension	L	mm 99.0000
Product Dimension	H	mm 67.0000
Product Dimension	W	mm 54.0000

Miscellaneous

Individual Pack		Yes
-----------------	--	-----



CITEL

UL LISTED TYPE 1 SPD - I_{max} 40kA - In 20kA - Module

DS43S-690

Storage Temperature _{Min}	°C	-40.0000
Storage Temperature _{Max}	°C	85.0000
Storage Relative Humidity _{Max}	%RH	95.0000
Mechanical Characteristics		
Technology		MOV
Connection to Network		By screw terminals: 2.5-25mm ² / by bus
Format		Plug-in modular box
Failsafe mode		Disconnection from AC network
TECHNOLOGY		MOV
NETWORK CONFIGURATION		3PH, 3W+G, Delta
CONNECTION METHOD		SPD-Screw Terminal (8-12AWG), Terminal blocks 6AWG
MOUNTING		Din Rail
MATERIAL		Thermoplastic UL94-V0
NEMA RATING (IP RATING)		NEMA 2 (IP20)
FAIL-SAFE BEHAVIOR		Disconnection via fuse-link
REAL-TIME DIAGNOSTICS		Visual indicator and remote contacts
DIMENSIONS		See diagram
WEIGHT		0.90 lbs
SPARE PART		DSM40-400
Standards		
Certification		UL listed / TUV Süd
UL STANDARD		UL1449 5th Edition
UL CATEGORY		VZCA2, VZCA8
UL FILE NUMBER		E326289
STANDARDS		NOM-003-SCFI-2014, NOM-001-SCFI-1993
ENVIRONMENTAL STANDARDS		ROHS
Part number		
461823		

