

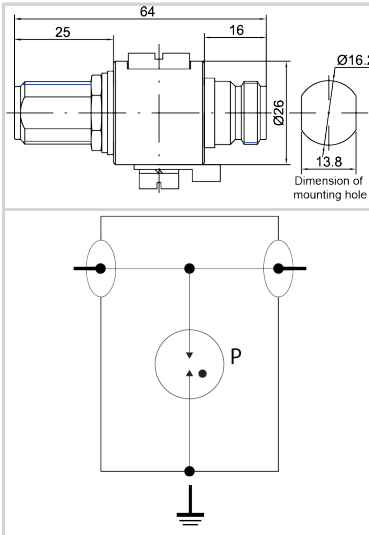


P8AX60-N/FF

CITEL



►4GHz Bi-Directional Coaxial Surge Protector - High Energy GDT Technology - Low Insertion Loss - Field Replaceable GDT - Waterproof Design - DC Pass - UL497E Listed



Electrical Characteristics			
Max. DC operating voltage	Uc		480 Vdc
Frequency range	f		DC-3.5 GHz
Insertion loss			< 0.2 dB
Return loss			> 20 dB
Impedance			50 ohms
VSWR			<1.2:1
Max. load current @25°C	IL		10 A
Max. discharge current max. withstand @ 8/20 µs by pole	I _{max}		20 kA
Nominal discharge current C2 Category	I _n		5 kA
Protection mode(s)			Common mode
Protection level @1kV/µs (C3)	U _p		< 1200 V
Impulse current 2 x 10/350µs Test - D1 Category	I _{imp}		1 kA
Max Power			687 W
Typical let through energy (50 ohms) input 4kV 1.2/50µs - 2kA 8/20µs			1100 µJ
DC Pass			Yes
Insulation resistance	IR		≥10 GOhms
RF Power Maximum	W		1100.0000
Return Loss Minimum	db		20
VSWR Maximum	:1		<1.2:1
Max Total Discharge Current I _{max} (8/20µs x 1)	kA		20.0000
Max Discharge Current I _{max} (8/20µs x 1)	kA		20.0000
RF SPD TYPE			UL497E LISTED
VOLTS	(V)		48
AC/DC/DC PV/RF			RF
WIRES			1W+GROUND
LINE CURRENT MAX	(A)		10
AMBIENT MIN	(C)		-40
AMBIENT MAX	(C)		+85
IMAX 8/20µs	(kA)		20
FREQUENCY RANGE	(GHz)		0-4.0
INSERTION LOSS (@ FREQ)	(db)		<0.2
RETURN LOSS	(db)		22
VSWR			<1.25:1
Installation			
Operating TemperatureMin	°C		-45.0000
Operating TemperatureMax	°C		85.0000
Operating TemperatureMin	°F		-50.0000



CITEL

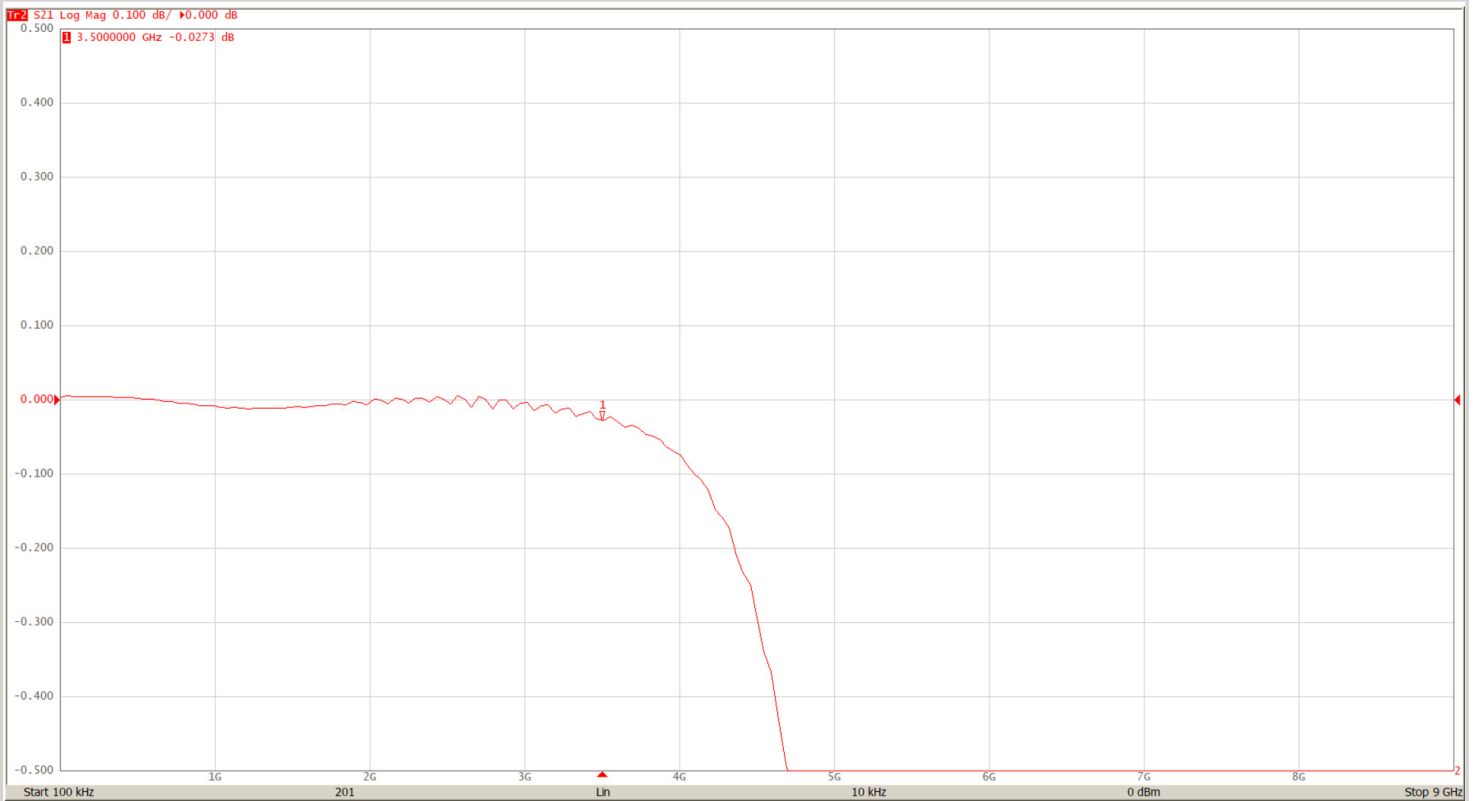
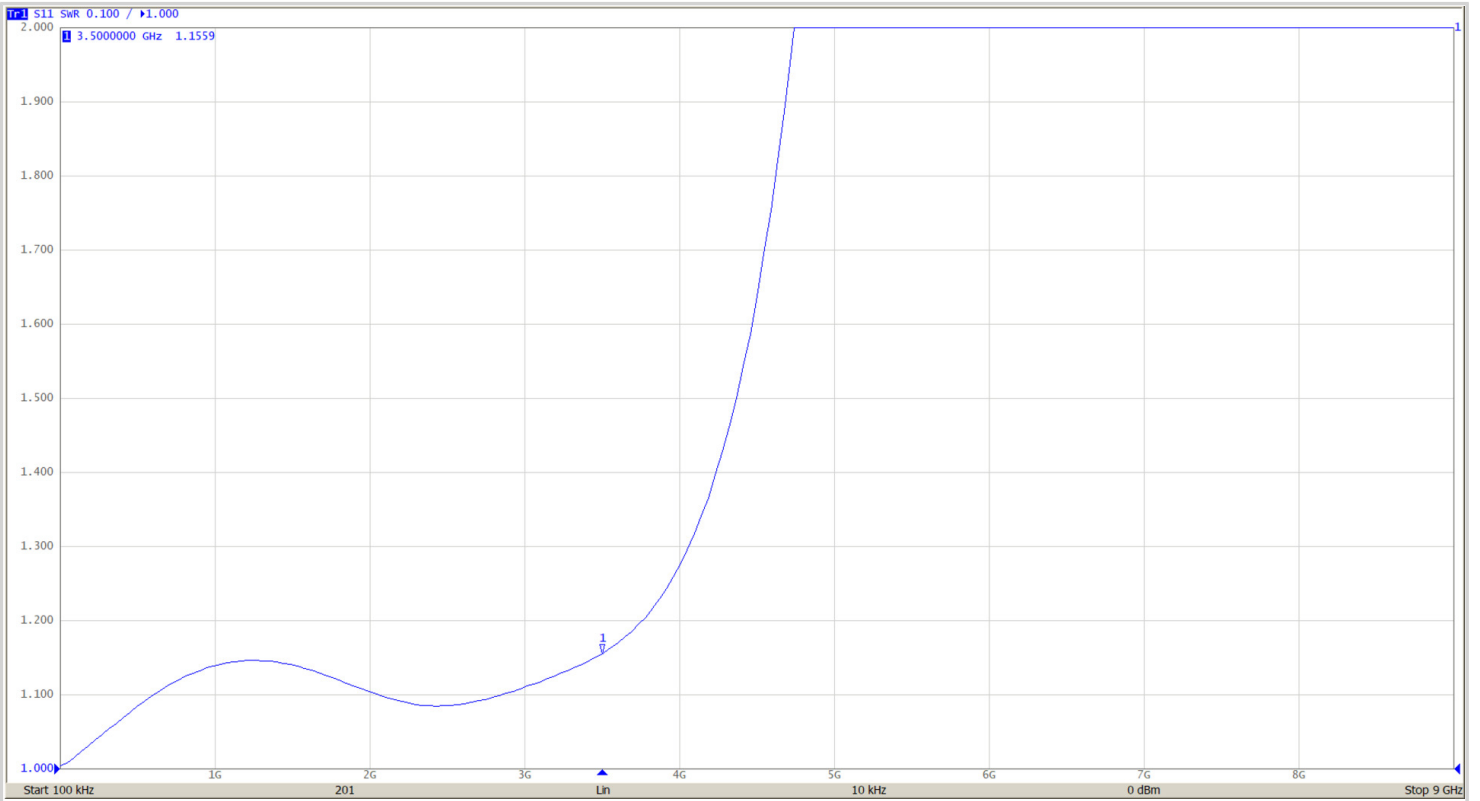
P8AX60-N/FF

Operating Temperature ^{Max}	°F	85.0000
Operating Relative Humidity ^{Max}	%RH	Can be submerged
Operating Altitude ^{Min}	Ft	2000.0000
Operating Altitude ^{Max}	Ft	6500.0000
Housing/Enclosure material		Cu, Zn, Sn plated Brass
Mounting		Bracket or Bulkhead through-hole
IP Environmental rating ^{IP}		IP65
NEMA Environmental rating ^{NEMA}		NEMA 4
Installation Location		Indoor / outdoor
Spare part		BB HF 600/20
Accessories		BK series mounting bracket
Product Dimension ^L	mm	64.0000
Product Dimension ^H	mm	26.0000
Product Dimension ^W	mm	13.8000
Product Dimension ^L	In	2.5100
Product Dimension ^H	In	1.0200
Product Dimension ^W	In	0.5400
Miscellaneous		
Individual Pack		No
Storage Temperature ^{Min}	°C	-40.0000
Storage Temperature ^{Max}	°C	85.0000
Storage Temperature ^{Min}	°F	-40.0000
Storage Temperature ^{Max}	°F	85.0000
Mechanical Characteristics		
Technology		Gas discharge tube
Connection to Network		Connector N Female/Female
Mounting		Bulkhead or Bracket
Operating temperature	Tu	-40/+85°C
Protection rating		IP65
Failsafe mode		Short-circuit
Contacts		Bronze/Surface Au-Ag
Insulation material		PTFE
TECHNOLOGY		GDT
CONNECTION METHOD		SERIES CONNECTOR, BI-DIRECTIONAL
MOUNTING		BULKHEAD, OPTIONAL BRACKET
MATERIAL		Housing-Cu, Zn, Sn plated Brass
NEMA RATING (IP RATING)		NEMA 6P (IP67)
DIMENSIONS		See diagram
WEIGHT		0.30 lbs
Standards		
Environmental standards		EU RoHS
RohS compliance		Yes
UL STANDARD		UL497E
UL CATEGORY		QVLA
UL FILE NUMBER		E349646
STANDARDS		NOM-003-SCFI-2014, NOM-001-SCFI-1993
Part number		
60016		



P8AX60-N/FF

CITEL





P8AX60-N/FF

CITEL

