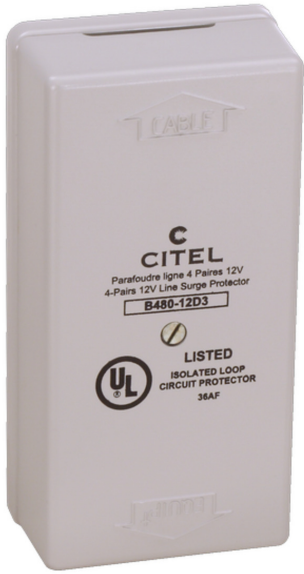




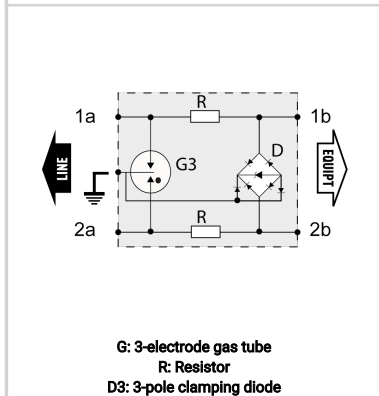
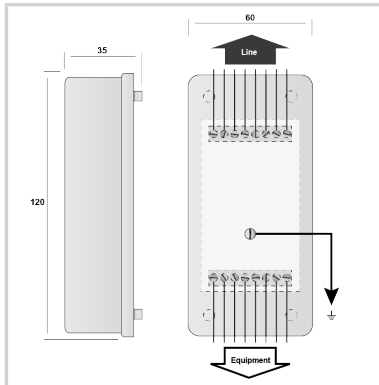
CITEL

DATA LINE SPD - UL497B- I_{max} 20kA - I_n 5kA

B480-12D3



- Hybrid SAD-GDT Technology
- Common/Differential Mode Protection
- UL497B
- 20kA I_{max}
- 5kA I_{mp}
- 2.5kA I_n



Electrical Characteristics

Network		RS232, RS485
Nominal line voltage	Un	12 Vdc
Max. DC operating voltage	Uc	15 Vdc
Max. frequency	f max.	20 MHz
Insertion loss		< 1 dB
Max. discharge current max. withstand @ 8/20 μs by pole	I _{max}	20 kA
Nominal Discharge Current C2 (1.2/50μs / 8/20μs), 10 applications, X-X (Line/Line)	I _n	5 kA
Protection Level C3 (10/1000μs), 300 applications@10 A, Y-Y (Line/Line)	Up	30 V
Impulse current 2 x 10/350μs Test - D1 Category	I _{imp}	2.5 kA
Max. Load current	IL	300 mA

Mechanical Characteristics

Technology		GDT + R + Diode
Connection to Network		By screw terminal: cross section 0.4-1.5mm ²
Format		Wall mounting box
Mounting		Wall mounting by screws (not supplied)
Operating temperature	Tu	-40/+85°C
Protection rating		IP20
Failsafe mode		Short-circuit - transmission cut-off - fault mode 2
NETWORK CONFIGURATION		8W+G
MOUNTING		Wall mount
MATERIAL		Thermoplastic UL94-V0
NEMA RATING (IP RATING)		NEMA 2 (IP20)
DIMENSIONS		See diagram

Standards

Certification		UL listed
Environmental standards		EU RoHS
UL STANDARD		UL497B
UL CATEGORY		QVGQ
UL FILE NUMBER		E184939
STANDARDS		IEC 61643-11, NOM-003-SCFI-2014, NOM-001-SCFI-1993

Part number

72792

