

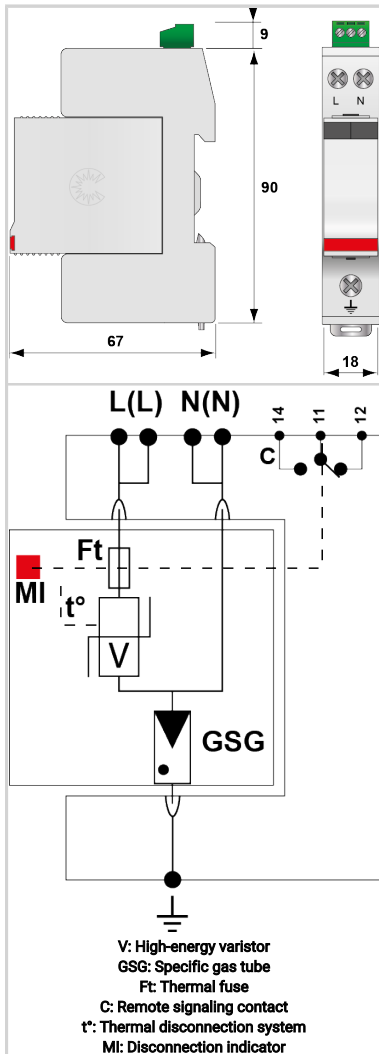


CITEL

DS240S-230/G



- MOV+GSG Technology
- UL1449 TYPE 4CA
- 40kA Surge Current Rating per module
- Visual fault indicator and remote contacts
- 10-Year warranty



Electrical Characteristics		
Network		230 V single-phase
Nominal line voltage	Un	230 Vac
Max. AC operating voltage	Uc	255 Vac
Max. load current		
if series connection	IL	20 A
Max. discharge current		
max. withstand @ 8/20 μs by pole	I _{max}	40 kA
Total Maximum discharge current		
max. total withstand @ 8/20 μs	I _{max} Total	40 kA
Protection mode(s)		Common/Differential mode
Residual voltage at 5 kA @ 5 kA (8/20μs)	Up-5kA	1.5/0.9 kV
POWER SPD TYPE		UL1449 5th Ed. TYPE 4CA
VOLTS	(V)	400/230
AC/DC/DC PV/RF		AC
PHASE	(PH)	1S
AMPS	(A)	N/A
AMBIENT MIN	(C)	-35
AMBIENT MAX	(C)	+60
MODES		L-L, L-G, L-N, N-G
MLV	(V)	-/1790/2240/1480
MCOV	(V)	-/255/255/255
IN	(kA)	20
15 impulses 8/20μs		
SCCR	(kA)	n/a
IMAX	(kA)	40
8/20μs		
Option		
Remote status dry contact electrical rating	Max Voltage	V 250.0000
Remote status dry contact electrical rating	Max Current	A 0.5000
RFI Filter		No
Installation		
Wiring type		screw
Solid wire cross section	Min	mm ² 1.5000
Solid Wire cross section	Max	mm ² 16.0000
Stranded Wire cross section	Min	mm ² 1.5000
Stranded wire cross section	Max	mm ² 10.0000
Wire gauge	Min	AWG 15.0000
Wire gauge	Max	AWG 5.0000
Torque		Nm 1.2-1.5
Torque		in-lbs 10.6-13.3
Strip Length		mm 16.0000
Strip Length		in 0.6300
Operating Temperature	Min	°C -40.0000



CITEL

UL121201 Hazardous Locations- Imax 40kA - In 20kA - Modular

DS240S-230/G

Operating Temperature ^{Max}	°C	85.0000
Operating Temperature ^{Min}	°F	-40.0000
Operating Temperature ^{Max}	°F	85.0000
Operating Relative Humidity ^{Max}	%RH	95
Operating Altitude ^{Min}	Ft	2000.0000
Operating Altitude ^{Max}	Ft	6500.0000
Housing/Enclosure material		Thermoplastic
Flammability rating ^{UL 94}		V0
Mounting		Rail Din
IP Environmental rating ^{IP}		IP20
Installation Location		Indoor / outdoor
Spare part		Module
Product Dimension ^L	mm	90.0000
Product Dimension ^H	mm	67.0000
Product Dimension ^W	mm	18.0000
Product Dimension ^L	In	3.5400
Product Dimension ^H	In	2.6300
Product Dimension ^W	In	0.7100
Miscellaneous		
Individual Pack		Yes
Storage Temperature ^{Min}	°C	-40.0000
Storage Temperature ^{Max}	°C	85.0000
Storage Temperature ^{Min}	°F	-40.0000
Storage Temperature ^{Max}	°F	85.0000
Storage Relative Humidity ^{Max}	%RH	95.0000
Mechanical Characteristics		
Technology		MOV
Connection to Network		By screw terminals: 1.5-10mm ² (L/N) or 2.5-25mm ² (PE)
Format		Plug-in modular box
Mounting		Symmetrical rail 35 mm (EN 60715)
Operating temperature	Tu	-40/+85°C
Protection rating		IP20
Failsafe mode		Disconnection from AC network
TECHNOLOGY		MOV+GSG
NETWORK CONFIGURATION		2 pole, 2W+G, Single/Spilt Phase
CONNECTION METHOD		Screw Terminal, 15-5AWG Solid Wire, 15-7AWG Stranded Wire
MOUNTING		Din Rail
MATERIAL		Thermoplastic UL94-V0
NEMA RATING (IP RATING)		NEMA 2 (IP20)
FAIL-SAFE BEHAVIOR		Disconnection via fuse-link
REAL-TIME DIAGNOSTICS		Visual indicator and remote contacts
DIMENSIONS		See diagram
WEIGHT		0.30 lbs
Standards		
Certification		cRUus
Environmental standards		EU RoHS
UL STANDARD		UL1449 5th Edition
UL CATEGORY		VZCA2, VZCA8
UL FILE NUMBER		E326289
STANDARDS		NOM-003-SCFI-2014, NOM-001-SCFI-1993
Part number		
311731		

