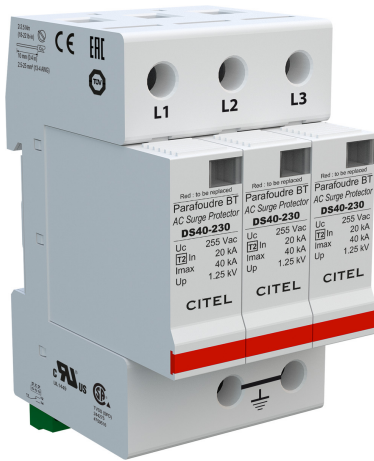




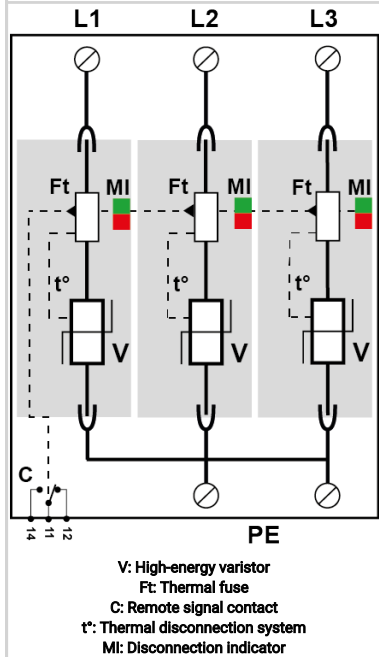
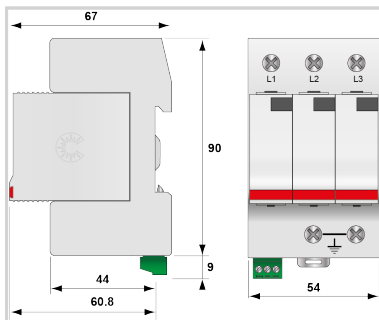
CITEL

UL TYPE 4CA SPD - I_{max} 40kA - I_n 20kA - Modular

DS43S-230



- ▶ MOV Technology
- ▶ UL1449 Type 4CA
- ▶ 40kA Surge Current Rating
- ▶ Visual fault indicator and remote contacts
- ▶ 10-Year warranty



Electrical Characteristics

Network		230/400 V 3-phase
Nominal line voltage	Un	230 Vac
Max. AC operating voltage	Uc	255 Vac
Max. discharge current <i>max. withstand @ 8/20 μs by pole</i>	I _{max}	40 kA
Total Maximum discharge current <i>max. total withstand @ 8/20 μs</i>	I _{max} Total	160 kA
Connection mode(s)		L/PE
Protection mode(s)		Common mode
Residual voltage at 5 kA <i>@ 5 kA (8/20μs)</i>	Up-5kA	0.9 kV
POWER SPD TYPE		UL1449 5th Ed. TYPE 4CA
VOLTS	(V)	400/230
AC/DC/DC PV/RF		AC
PHASE	(PH)	3Y
AMPS	(A)	N/A
AMBIENT MIN	(C)	-35
AMBIENT MAX	(C)	+60
MODES		L-L, L-G
MLV	(V)	2730/-/1600/-
MCOV	(V)	480/-/275/-
IN	(kA)	20
<i>15 impulses 8/20μs</i>		
SCCR	(kA)	n/a
IMAX	(kA)	40
<i>8/20μs</i>		
Iimp	(kA)	4
<i>10/350μs</i>		

Mechanical Characteristics

Technology		MOV
Connection to Network		By screw terminals: 2.5-25mm ² / by bus
Format		Plug-in modular box
Mounting		Symmetrical rail 35 mm (EN 60715)
Operating temperature	Tu	-40/+85°C
Protection rating		IP20
Failsafe mode		Disconnection from AC network
TECHNOLOGY		MOV
NETWORK CONFIGURATION		3PH, 3W+G, Delta
CONNECTION METHOD		SPD-Screw Terminal (8-12AWG), Terminal blocks 6AWG
MOUNTING		Din Rail
MATERIAL		Thermoplastic UL94-V0
NEMA RATING (IP RATING)		NEMA 2 (IP20)
FAIL-SAFE BEHAVIOR		Disconnection via fuse-link
REAL-TIME DIAGNOSTICS		Visual indicator and remote contacts
DIMENSIONS		See diagram
WEIGHT		0.90 lbs
SPARE PART		DSM40-230

Standards

Certification		cRUus
Environmental standards		EU RoHS
UL STANDARD		UL1449 5th Edition
UL CATEGORY		VZCA2, VZCA8
UL FILE NUMBER		E326289
STANDARDS		NOM-003-SCFI-2014, NOM-001-SCFI-1993

Part number



CITEL

UL TYPE 4CA SPD - I_{max} 40kA - In 20kA - Modular

DS43S-230

461523

